

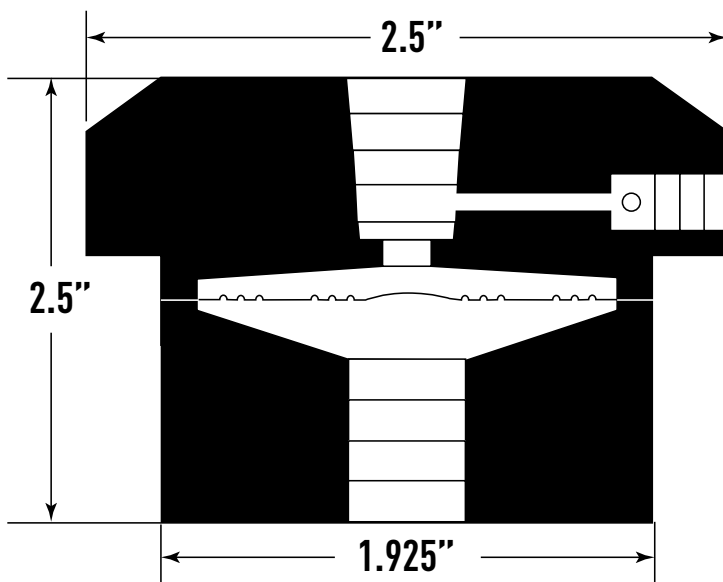
# 13040 Series

Mini Diaphragm Seals / 4.5" Dials and Below



The Model 13040 All Welded Seal is designed for up to to 4 1/2" bourdon tube gauges with pressure ranges from vacuum to 1000 psi. Available in all 316 Stainless Steel or Hastelloy C process housing and diaphragm, with threaded connections. Optional flushing connections also available.

## Product Dimensions



## Product Specifications

### Upper Housing Material

316 Stainless Steel

### Lower Housing Material

316 Stainless Steel

Hastelloy C

### Diaphragm Material

316 Stainless Steel

Hastelloy C

### Instrument Connection

1/4" NPT, 1/2" NPT

### Process Connection

1/4" NPT, 1/2" NPT, 3/4" NPT, 1" NPT

### Flush Connection

None

1/4" NPT

### Pressure Rating

60-2,500 PSI

### System Fill

Glycerine

Silicone

Syltherm

Others Optional

### Options Available

Custom Connection Sizes

Custom Materials

Low Pressure

High Pressure