

Through advanced circuit design and packaging technology, the ON-Delay ATC 313 packs all of the performance of a conventional plug-in TDR in a space-saving housing. It features a digital timing circuit which ensures high repeat accuracy and excellent noise immunity.

MINIATURE HOUSING: You can mount several ATC 313 timers in the same space as a single conventional TDR.

DIGITAL ACCURACY: A custom C-MOS integrated circuit accurately measures the dial-adjustable delay by counting the output of an internal oscillator. Repeat accuracy remains high even with variations in voltage, temperature and reset time.

STATUS INDICATORS: Two LEDs clearly indicate the operational status of the 313: one is energized when power is applied; the other is off during the delay period and on at time-out.

INDUSTRIAL QUALITY: With a load relay capable of switching 7A resistive loads and a C-MOS design that protects components against noise and voltage transients, the 313 is built for industrial use.



Plug-In Adjustable TDR

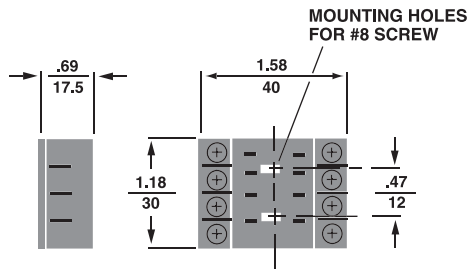
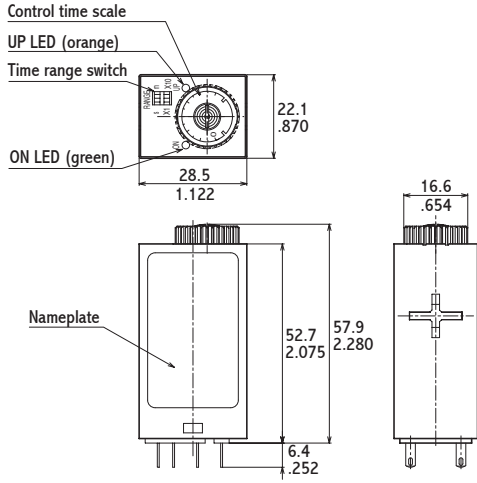
SPECIFICATIONS

4 RANGES (AND MINIMUM SETTINGS)	0.1 -1.0 SEC.
	0.5 - 10.0 SEC.
	3 SEC. - 1 MIN.
	30 SEC. - 10 MIN.
LOAD RELAY	TYPE 2 Form C
	LIFE AC 50,000,000 operations (no load)
	LIFE DC 100,000,000 operations (no load)
TEMPERATURE RATING	15° to 120°F (-10° to 50°C)
CONTACT RATING	7A resistive 1/10 HP at 120V
MOUNTING	Plug-in optional surface-mounting socket with screw terminals; optional PC board mount socket and wire wrap
POWER REQUIREMENTS	120 VAC 80 to 132V, 50/60 Hz, 20 mA
	240 VAC 160 to 242V, 50/60 Hz, 13 mA
SETTING ACCURACY	± 10% of range at full scale
REPEAT ACCURACY	± 1% of setting or 10 ms when temperature and voltage are constant
	± 7% of setting when temperature and voltage change within specified operating limits
RESET TIME	0.1 SEC during timing and at least 15 ms after time out
HOUSING	Dust, moisture and impact-resistant molded polycarbonate
WEIGHT	NET: 2 oz. SHIPPING: 4 oz.

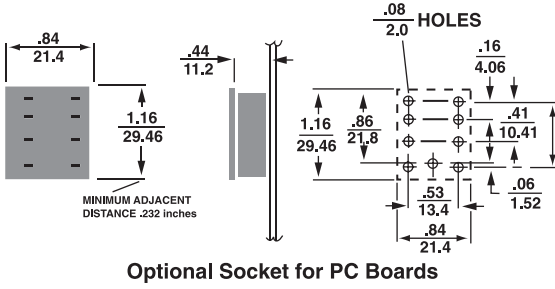
MODEL NUMBER

MODEL NUMBER	313B	10			
VOLTAGE & FREQUENCY	120 VAC, 50/60 Hz	Q			
	240 VAC, 50/60 Hz	R			
ARRANGEMENT	On-Delay		1		
	Special		0		
FEATURES	Standard				X
	Special				K
ACCESSORIES	Surface Mounting Socket				000-825-81-00
	PC Board Socket				000-825-82-00

DIMENSIONS

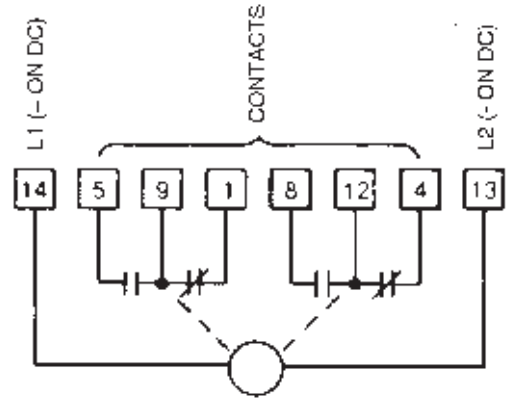


Optional Surface mounting Socket



Optional Socket for PC Boards

WIRING



TERMINAL WIRING

