

425AR/385AR Off Delay Timer Settings



With the settings outlined below, the 425AR or 385AR can be configured as an Off Delay Timer with a separate control input. Note that Relay 1's display LED will indicate the opposite status of the off delay relay output.



Here's how this configuration works: the timer will reset time and close the off delay output when the off delay switch is closed. Once the switch is open, timing will begin. After the delay period concludes, the relay will open. Once the switch is closed, the timer resets and the relay will close to allow for another timing cycle. If the switch is closed while timing, the time delay will be reset.

Menu Settings:

Relay 1 - ON (ON Delay)

Relay 2 - NC (On delay normally closed operation)

Start - Pulse (Pulse start)

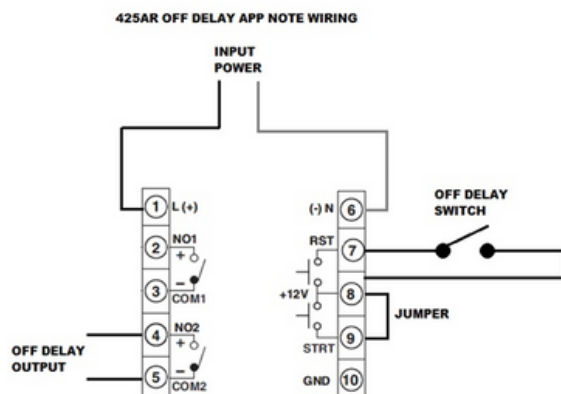
POR (Power on reset)

Other Settings as needed

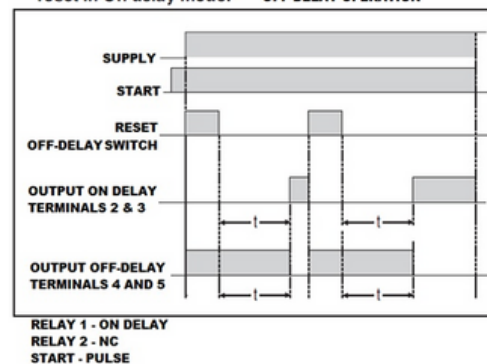
Input Power Terminals 1 and 6

Start Terminal 9 jumped to +12V Terminal 8

OFF Delay Switch Wired to +12V Terminal 8 and RST Terminal 9



Typical application of Continuous start and reset in On delay mode: **OFF-DELAY OPERATION**



Additional questions? Contact our team.