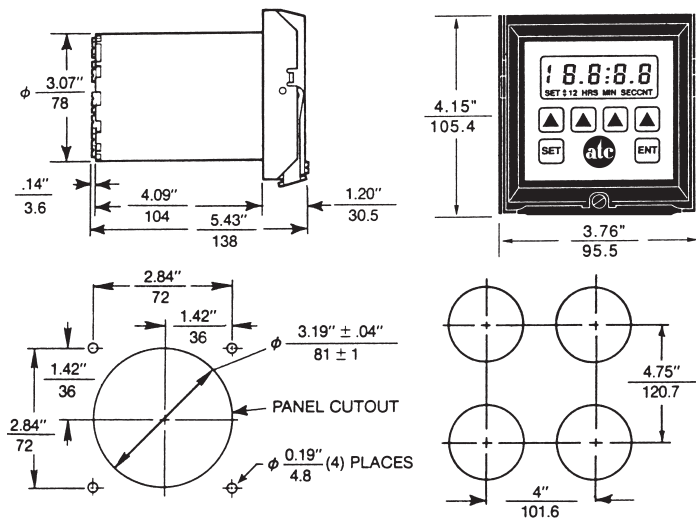


The ATC 651 is a microprocessor-based device that is selectable between four different timing modes and five different timing ranges. The timing modes include On-Delay, Reverse Start Delay, Momentary Start Single Cycle Flip Flop, and Accumulator. The timing ranges allow for delays from 1 millisecond to 199 hours 59 minutes. The timing modes and ranges are selected using a DIP switch assembly located on the inside of the timer. The time setting is entered through the keyboard located in the timer faceplate while the time value is displayed on the LCD readout. The timer keyboard can be disabled to guard against accidental time changes. The 651 timer is housed in a standard 15-terminal plug-in round case and will directly replace an existing electromechanical or electronic plug-in round case timer. A sealed faceplate allows this timer to be used in harsh environments. Both instantaneous and timed contacts are provided and timers are available for operation on either 120VAC or 240VAC..



**Multi-Function Multi-Range Timer**

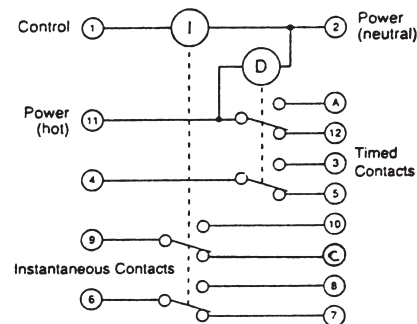
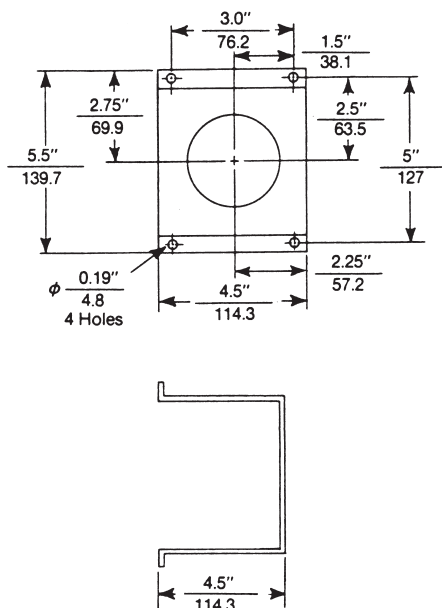
**DIMENSIONS (INCHES/MILLIMETERS)**



- Five Time Ranges From 0.001 SEC
- Replaces Most Electro-Mechanical Timers
- Four Timing Modes
- Easy Programming 7/16" High LCD Display
- Sealed Faceplate
- Keypad Lockout of Time Setting
- Internal Cycle Counter
- Data Retention Memory with Lithium Battery (included with timer)

**WIRING**

model 600-3-3950 surface mounting bracket



## SPECIFICATIONS (ALL MODELS)

<b>TIMING RANGES</b>	0.001 SEC to 19.999 SEC 0.01 SEC to 199.99 SEC 0.1 SEC to 1999.9 SEC 1 SEC to 199 MIN 59 SEC 1 MIN to 199 Hr. 59 MIN
<b>MODE OF OPERATION</b>	ON-Delay, Reverse Start Delay, Momentary Start Single Cycle Flip Flop, Accumulator
<b>TIME SETTING</b>	Front Panel Keypad
<b>TIME REPEAT ACCURACY</b>	±0.005 SEC
<b>DISPLAY</b>	LCD - 4 1/2 Digit, 7/16" High
<b>RELAY MECHANICAL LIFE</b>	50,000,000 Operations
<b>INSTANTANEOUS RELAY OUTPUT</b>	7 Amps Resistive, 240 VAC, 2 N.O. 2 N.C. Contacts
<b>TIMED RELAY OUTPUT</b>	7 Amps Resistive, 240 VAC, 2 N.O. 2 N.C. Contacts
<b>TEMPERATURE RATING</b>	32° - 140°F (0° - 60°C)
<b>OPERATING POWER</b>	120 or 240 VAC, +10%, -20%, 50/60 Hz
<b>TRANSIENT VOLTAGE PROTECTION</b>	Metal Oxide Varistor
<b>NEMA RATING</b>	NEMA 12
<b>TERMINALS</b>	Screw Terminals
<b>MOUNTING</b>	Plug In Case
<b>WEIGHT</b>	Net: 25 oz. Shipping: 30 oz.

## SPECIFICATIONS (651-8-5000 & 651-8-5001)

<b>RESET TIME</b>	8 mSEC
<b>CONTROL VOLTAGE INITIATE TIME</b>	8 mSEC
<b>MEMORY</b>	Lithium Battery (Included with unit)
<b>POWER CONSUMPTION</b>	3.7 VA

## ORDERING INFORMATION

MODEL NUMBER	DESCRIPTION
651-8-5000	Plug-in, Round Case Timer 120 VAC W/Battery Memory
651-8-5001	Plug-in, Round Case Timer 240 VAC W/Battery Memory
651-3-0128	Mounting Gasket, 1/8" Thick (Included With Timer)
651-3-0129	Mounting Gasket, 1/4" Thick (Included With Timer)
600-3-3950	Base Mounting Bracket

Replacement lithium batteries - Old ATC Part #652-3-0130 is not available. Use [TADIRAN#TL-5902/S SAFT](#), [#LS14250](#) or [EAGLE-PICHER #PT-2150](#) from most electrical distributors.