

The **ARC/ARD Series** is a duplexor that detects input of float switch inputs and determines outputs to turn on with line voltage. As the lag and lead switches open, the loads remain energized. When all switches open both loads de-energize simultaneously and the lead load alternates. The ARD series has a 3 position selector switch to lock it into normal duplexing action, 1-2 sequence or 2-1 sequence.

Sequence On-Simultaneous Off (SOSO)

SPECIFICATIONS

CONTROL VOLTAGE	120 VAC +10/-20 %
POWER REQUIRED	Less than 3 VAC
DUTY CYCLE	Continuous
LIFE EXPECTANCY	Mechanical 10,000,000 Operations (Minimum) Electrical 100,000 Operations @ Rated Load
INDICATORS	LED Shows Output Position
TEMPERATURES RATING	Operate 32 to 149°F (0 to 65°C) Storage -40° to 185°F (-40° to +85°C)
CONTACT RATING	5 Amps Resistive @ 120 VAC (Single Output) 1/6 hp @ 120 VAC (Single Output) 10 Amps Res. @ 120 VAC (Combined Output) 1/3 hp @ 120 VAC (Combined Output)
ENCLOSURE	"A" Lexan® Dust Cover
TERMINATIONS	Industrial Plug-in
WEIGHT	6.4 oz.

MODEL NUMBER

MODEL NUMBER	A					A	
UL STATUS							
UL Recognized	R						
UL Listed (OTO8 socket)	U						
TYPE OF ALTERNATING RELAY							
Standard Duplexor	C						
Special Function Duplexor	D						
CONTROL VOLTAGE							
120 VAC				120			
TYPE OF VOLTAGE							
VAC					A		
CONTACT CONFIGURATION							
SPDT Two Line Voltage Outputs (Crosswired)						A	
ENCLOSURE STYLE							A

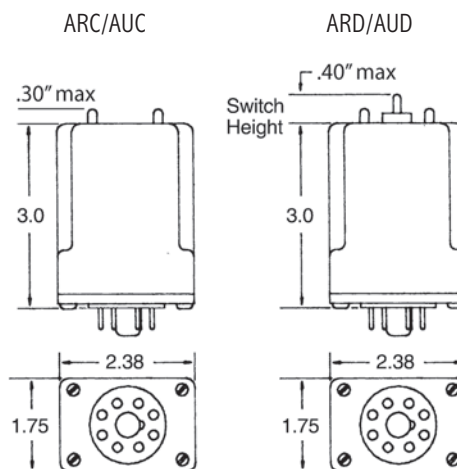
ORDER

AUC120AAU and AUD120AAU which includes socket OTO8 as UL listed Unit



Duplexor

DIMENSIONS (INCHES)



WIRING

