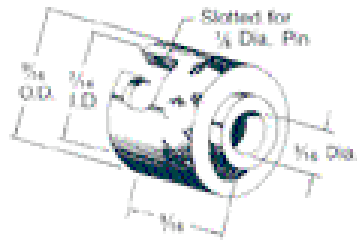


BAYONET HARDWARE

The bayonet hardware illustrated provides a method of assuring positive contact between tip sensitive hot junction and the surface to be measured. The parts are designed for application with .187" diameter thermocouples but may be adapted to other sizes. All items are manufactured from stainless steel for maximum resistance to corrosion and oxidation.

These are industry standard hardware and are interchangeable with most spring loaded components on the market.



1053 Cap

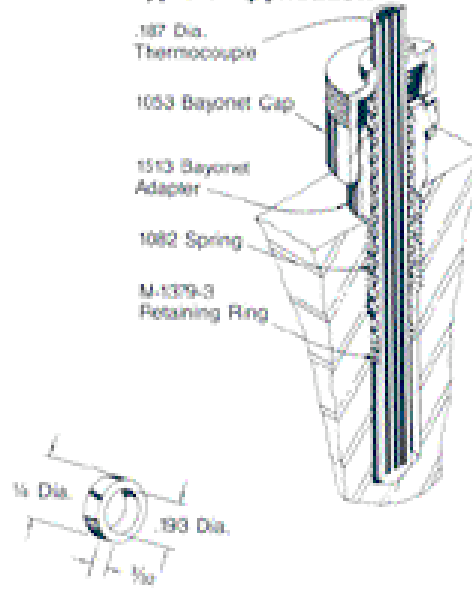
Mates with the 1513 adapter with simple push and twist-action, retained by spring tension.



1082 Spring

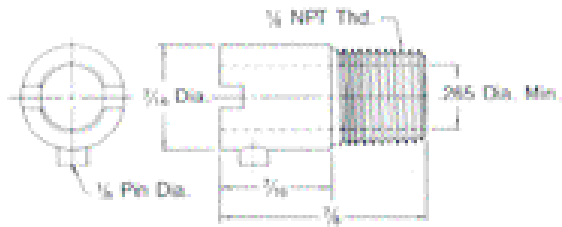
Spring will always compress to approximately one half its relaxed length, hence it may be cut to desired size.

Typical Application



M-1379-3 Retaining Ring

Shoulder designed to transmit spring pressure to the thermocouples. Must be silver soldered to sheath.



1513 Adapter

Slotted design allows fast screw-driver installation in 1/8" NPT tapped hole.