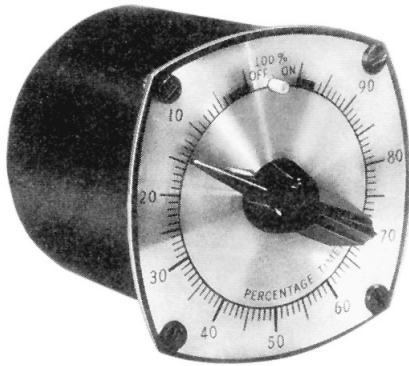


120 VAC

LISTED
 7R59
 Clock Oper. Sw.


 240 VAC
 E104697



Percentage Timer

SPECIFICATIONS

TIME RANGES	15, 30, 60 MIN
TIMING MODE	Continuous ON-OFF
RANGE SETTING	3%-97%, Also 100% ON and OFF Points
SETTING ACCURACY	Within 2% of Full Scale
REPEAT ACCURACY	Within 1% of Full Scale
OUTPUT	SPST, 20A, 1/2 HP 120 VAC SPST, 20A, 1 HP 240 VAC
MOTOR VOLTAGES	120 VAC 50/60 Hz., 240 VAC, 50/60 Hz. (50 Hz. Units Will Be 1/6 Slower Than Listed Speeds.)
TERMINATION	Rear Screw Terminals
MOUNTING	Front Panel
TEMPERATURE RATING	32° to 120°F (0° to 50°C)
WEIGHT	1.4 lbs.

MODEL NUMBER

MODEL	CP	
TIME RANGE	15 minutes	15M
	30 minutes	30M
	60 minutes	60M
VOLTAGE	120 VAC	A
	240 VAC	C

MODEL EXAMPLE:

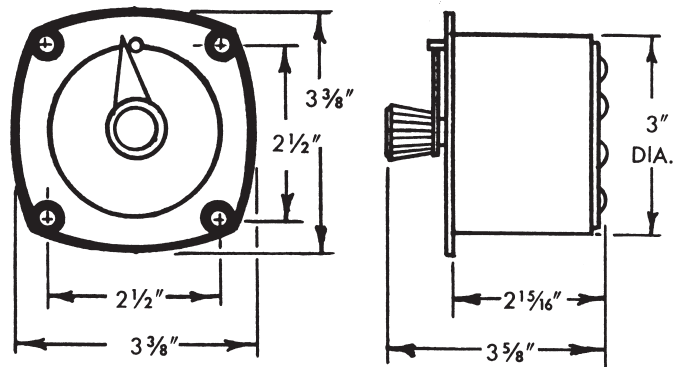
CP-15M-A

- Precise Fool-proof Operating Mechanism
- Eliminates All Engaging Cams and Latches
- Five Time Ranges from Which to Choose
- Minimal Panel Space Needed

For continuous ON-OFF control of electrical circuits, the CP Series single circuit repeat cycle timer is a continuous cycling control where the ON or circuit closure time is dial adjusted for a percentage of the total time cycle.

APPLICATIONS: Control of pumps, blowers, filters, heating equipment, industrial ovens, laboratory equipment and wherever ON or OFF control is desired as a percentage of the primary fixed total time cycle.

DIMENSIONS



WIRING

