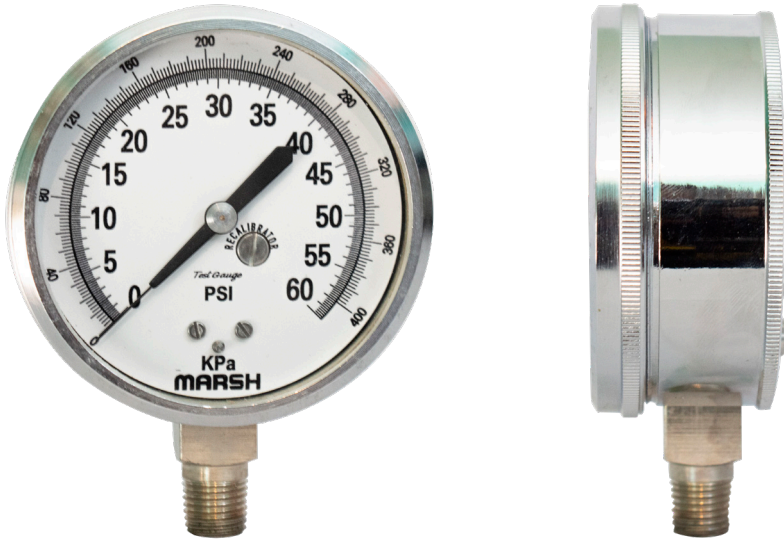


# D15 Series Test Gauge

Nickel Plated Brass Case / Brass Internals / 3" Lower mount

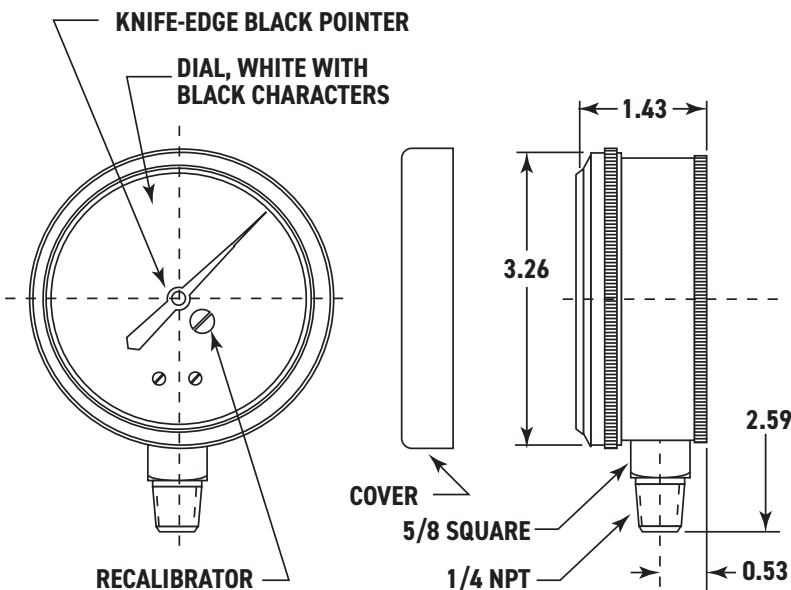


Marsh Instruments Inspector's Test Gauges are specifically designed for use by steam boiler, air brake, and pressure system inspectors. The rugged 3" Inspector's test gauge features a nickel-plated case and an accuracy of 0.5% span. The bushed Master Test Gauge movement with recalibrator is standard.

## Features:

- 0.5% Full Scale Accuracy (ASME Grade A)
- Vacuum to 1,000 psi Range
- Recalibrator on Dial Face

## Product Dimensions



## Product Specifications

### Design

Meets/Exceeds ASME B40.100

### Accuracy

±0.5% Accuracy (ASME Grade 2A)

### Dial Size(s)

3" Diameter

### Case

Brass, Nickel Plated

### Bezel

Brass, Nickel Plated, Removable

### Tube & Socket

Copper Alloy

### Movement

Brass

### Connection

1/4 NPT - Lower Mount

### Pressure Ranges

VAC to 1,000 psi

### Standard Scale

Dual Scale psi/kPa

### Dial Color

Black Markings on White

### Pointer

Aluminum, Black Painted, Knife-Edge

### Window

Beveled Glass

### Standard Case Fill

Dry, Non-Fillable

### Ambient Temperature

-40° to 160°F

### Vent Plug

N/A

### Weight

2.0 lb.

Interested in ordering? Ordering information available at [MarshGauges.com](http://MarshGauges.com)