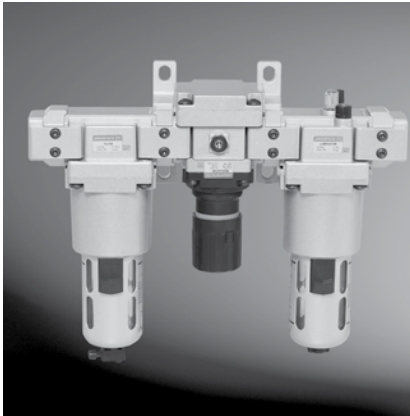


	MA13	MA14	MA15	MA17
FILTERS/ PARTICLE or MIST				
Port Size	1/8, 1/4" NPT	1/4, 3/8" NPT	1/4, 3/8, 1/2" NPT	3/4, 1" NPT
Filtration (micron) Particle/Mist	5μ, 25μ, 50μ / 0.01	5μ, 25μ, 50μ / 0.01	5μ, 25μ, 50μ / 0.01	5μ, 25μ, 50μ / 0.01
Maximum Supply Pressure	140 PSI (10 BAR)/ 280 PSI (20 BAR) with metal bowl	140 PSI (10 BAR)/ 280 PSI (20 BAR) with metal bowl	140 PSI (10 BAR)/ 280 PSI (20 BAR) with metal bowl	140 PSI (10 BAR)/ 280 PSI (20 BAR) with metal bowl
Temperature Range*	41°-120°F (140°F metal bowl) 5°-50° C (60°C metal bowl)	41°-120°F (140°F metal bowl) 5°-50° C (60°C metal bowl)	41°-120°F (140°F metal bowl) 5°-50° C (60°C metal bowl)	41°-120°F (140°F metal bowl) 5°-50° C (60°C metal bowl)
Drain (Mist- Manual only)	Manual / Semi-Auto	Manual / Semi-Auto / Auto	Manual / Semi-Auto / Auto	Manual / Semi-Auto / Auto
Bowl Capacity oz (ml)	0.3 oz (9 ml)	1.1 oz (32 ml) Standard, 1.2 oz (35ml) AD, 2.2 oz (64ml) metal	1.5 oz (44 ml) Standard, 2.2 oz (65ml) AD, 3.1 oz (90ml) metal	5.6 oz (165 ml)
Flow (based on 85 psi inlet pressure with 40 micron filter) Particle/Mist	10,15, 28 SCFM (425, 800 lpm)	27, 35, 78 SCFM (765, 2250 lpm)	29, 76, 60,123 SCFM (815, 2185, 3500 lpm)	77,175, 228 SCFM (5000, 6500 lpm)
REGULATORS				
Max. Supply Pressure	225 PSI (15.5 bar)	225 PSI (15.5 bar)	225 PSI (15.5 bar)	225 PSI (15.5 bar)
Flow Capacity at 100 psig (6.9 BAR)	11,21 SCFM (315, 600 lpm)	61,87 SCFM (1750, 2500 lpm)	80,118, 140 SCFM (2280, 4764, 4000 lpm)	175, 228 SCFM (5000, 6000 lpm)
Output Pressure Ranges	0-10 psig (0-0.69 BAR)	0-10 psig (0-0.69 BAR)	0-10 psig (0-0.69 BAR)	0-10 psig (0-0.69 BAR)
	3-30 psig (0-2.1 BAR)	3-30 psig (0-2.1 BAR)	3-30 psig (0-2.1 BAR)	3-30 psig (0-2.1 BAR)
	3-60 psig (0-4.1 BAR)	3-60 psig (0-4.1 BAR)	3-60 psig (0-4.1 BAR)	3-60 psig (0-4.1 BAR)
	7-140 psig (0-9.6 BAR)	7-140 psig (0-9.6 BAR)	7-140 psig (0-9.6 BAR)	7-140 psig (0-9.6 BAR)
Temperature Range	41°-140° F / 5°-60° C	41°-140° F / 5°-60° C	41°-140° F / 5°-60° C	41°-140° F / 5°-60° C
Port Size	1/8, 1/4" NPT	1/8, 3/8" NPT	1/8, 3/8, 1/2" NPT	3/4, 1" NPT
Mounting Options	Pipe, Panel or Bracket	Pipe, Panel or Bracket	Pipe, Panel or Bracket	Pipe, Panel or Bracket
FILTER-REGULATORS				
Port Size	1/8, 1/4" NPT	1/4, 3/8" NPT	1/4, 3/8, 1/2" NPT	3/4, 1" NPT
Filtration (micron)	5μ, 25μ, 40μ	5μ, 25μ, 40μ	5μ, 25μ, 40μ	5μ, 25μ, 40μ
Maximum Supply Pressure	140 PSI (10 BAR)/ 280 PSI (20 BAR) with metal bowl	140 PSI (10 BAR)/ 280 PSI (20 BAR) with metal bowl	140 PSI (10 BAR)/ 280 PSI (20 BAR) with metal bowl	140 PSI (10 BAR)/ 280 PSI (20 BAR) with metal bowl
Temperature Range *	41°-120°F (140°F metal bowl) 5°-50° C (60° C metal bowl)	41°-120°F (140°F metal bowl) 5°-50° C (60° C metal bowl)	41°-120°F (140°F metal bowl) 5°-50° C (60° C metal bowl)	41°-120°F (140°F metal bowl)
Drain	Manual / Semi-Auto	Manual / Semi-Auto / Auto	Manual / Semi-Auto / Auto	Manual / Semi-Auto / Auto
Bowl Capacity oz (ml)	0.3 oz (9 ml)	1.1 oz (32 ml) Standard, 1.2 oz (35ml) AD, 2.2 oz (64ml) metal	2.2 oz (65ml) AD, 3.1 oz (90ml) metal	5.6 oz (165 ml)
Output Pressure Ranges	0-10 psig (0-0.69 BAR)	0-10 psig (0-0.69 BAR)	0-10 psig (0-0.69 BAR)	0-10 psig (0-0.69 BAR)
	3-30 psig (0-2.1 BAR)	3-30 psig (0-2.1 BAR)	3-30 psig (0-2.1 BAR)	3-30 psig (0-2.1 BAR)
	3-60 psig (0-4.1 BAR)	3-60 psig (0-4.1 BAR)	3-60 psig (0-4.1 BAR)	3-60 psig (0-4.1 BAR)
	7-140 psig (0-9.6 BAR)	7-140 psig (0-9.6 BAR)	7-140 psig (0-9.6 BAR)	7-140 psig (0-9.6 BAR)
Flow (based on 100 psi inlet pressure with 40 micron filter)	8.8, 19.3 SCFM (250, 550 lpm)	25, 63 SCFM (725, 1800 lpm)	32, 81, 105 SCFM (915, 2300, 3000 lpm)	210 SCFM (6000 lpm)/ 228SCFM (6800 lpm) STD, metal/ 212 SCFM(6000 lpm)/ 214 SCFM(6000 lpm) AUTO
LUBRICATORS				
Port Size	1/8, 1/4" NPT	1/4, 3/8" NPT	1/4, 3/8, 1/2" NPT	3/4, 1" NPT
Lubrication	Mist	Mist	Mist	Mist
Maximum Supply Pressure	140 PSI (10 BAR) 280 PSI (20 BAR) with metal bowl	140 PSI (10 BAR) 280 PSI (20 BAR) with metal bowl	140 PSI (10 BAR) 280 PSI (20 BAR) with metal bowl	140 PSI (10 BAR) 280 PSI (20 BAR) with metal bowl
Temperature Range *	41°-120°F (140°F metal bowl) 5°-50° C (60° C metal bowl)	41°-120°F (140°F metal bowl) 5°-50° C (60° C metal bowl)	41°-120°F (140°F metal bowl) 5°-50° C (60° C metal bowl)	41°-120°F (140°F metal bowl) 5°-50° C (60° C metal bowl)
Bowl Capacity oz (ml)	0.68 oz (20ml)	2.0 oz (57ml) Standard/ 3.4 oz (100 ml) METAL	5.1 oz(152ml) STD/ 6.8 oz(200 ml) METAL	6.8 oz (200 ml)
Flow (based on 85 psi inlet pressure)	16 SCFM (455 lpm)/ 47 SCFM(1350 lpm)	47 SCFM (1330 lpm)/ 105 SCFM(3000 lpm)	47(1350 ml)/ 115 SCFM(3270 lpm) 198 SCFM(3270 lpm)	254 SCFM (7200 lpm)/ 318 SCFM(9000 lpm)

* Metal Bowls have a higher temp. range; (41°-140° F / 5°-60° C)

Frl's



FRL ORDERING INFORMATION

FRL FEATURES

Modular design for service & interchangeability
 Small package size and light weight construction
 Competitively priced

Filters

MA13 has polycarbonate bowl with metal guard; threaded type
 MA14, MA15, MA17 have polycarbonate bowl with metal guard, bayonet type

stock elements

5, 25 or 50 micron
 Manual, semi-auto or auto drain available

regulators

Diaphragm operated balanced poppet design, relieving type
 Superior droop performance
 Panel, pipe, or bracket mounting
 Metal body, polycarbonate bonnet and knob
 Non-rising adjustment knob with push-pull lock ring feature

Filter regulators

Aluminum and polycarbonate construction
 Manual, semi-auto or autodrain available
 Polycarbonate bowl with metal guard
 Non-rising adjustment knob with push-pull lock ring feature
 For panel or bracket mounting

lubricators

Polycarbonate bowl with metal guard; top plug permits filling without removing bowl or shutting off air
 Adjust drip rate by hand, using needle adjusting knob

		XX	XXX	XX	X	X	X	X
Size								
1/8", 1/4" NPT (11, 21 SCFM)	MA13							
1/4", 3/8" NPT (61, 88 SCFM)	MA14							
1/4", 3/8", 1/2" NPT (80, 167, 140 SCFM)	MA15							
3/4", 1" NPT (175, 228 SCFM)	MA17							
Part Option								
Particulate Filter	F							
Coalescing Filter (not available in 1/8")	CF							
Regulator	R							
Lubricator	L							
Filter Regulator	FR							
Filter Regulator PLUS Lubricator Filter	FRP							
Regulator Lubricator	FRL							
Port Size								
1/8" NPT	1N							
1/4" NPT	2N							
3/8" NPT	3N							
1/2" NPT	4N							
3/4" NPT	6N							
1" NPT	8N							
Regulator Pressure Ranges								
0-10 psi	A							
0-30 psi	L							
0-60 psi	M							
0-140 psi	H							
Omit for Filters and Lubricators								
Filters Options								
Particulate								
40 Micron Filter, Standard	C							
25 Micron Filter	B							
5 Micron Filter	F							
Coalescing								
0.1 Micron Filter	E							
0.01 Micron Filter, Standard	V							
Omit for Regulators and Lubricators								
Drain								
Manual Drain, Standard	M							
Semi-Automatic Drain	S							
Auto Drain (NOT AVAILABLE ON MA13)	A							
Omit for Regulators and Lubricators								
Bowl Options								
Metal Bowl, NO Level Indicator	M							
Metal Bowl with Level Indicator	L							