

# G33 Series

Steel Case / Brass Internals / Bell or Hex Mounted



HVAC/R Gauges

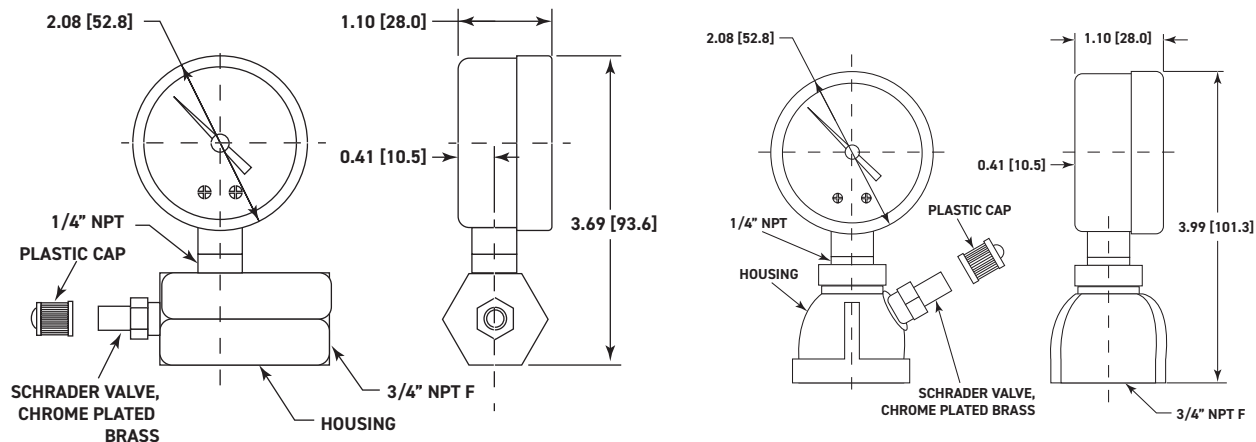


Used to pressure test all new gas installations for leaks and passing inspection codes. After installing the Marsh Instruments Gas Test Gauge, the system is pressurized with air. Any leakage will be indicated by a pressure drop in the gauge.

## Features:

- Hex or Bell Type Mounting
- 15 to 100 psi Pressure ranges
- Steel Case and Brass Internals

## Product Dimensions



## Product Specifications

|                            |                               |
|----------------------------|-------------------------------|
| <b>Design</b>              | Meets/Exceeds ASME B40.100    |
| <b>Accuracy</b>            | $\pm 3/2/3\%$ (ASME Grade B)  |
| <b>Dial Size(s)</b>        | 2" Diameter                   |
| <b>Case</b>                | Steel, Black Painted          |
| <b>Bezel</b>               | Steel, Black Painted, Fixed   |
| <b>Tube &amp; Socket</b>   | Copper Alloy                  |
| <b>Movement</b>            | Brass                         |
| <b>Connection</b>          | $3/4$ FPT - Bell or Hex Mount |
| <b>Pressure Ranges</b>     | 15 to 200 psi                 |
| <b>Standard Scale</b>      | Single Scale psi              |
| <b>Dial Color</b>          | Black Markings on White       |
| <b>Pointer</b>             | Aluminum, Black Painted       |
| <b>Window</b>              | Acrylic                       |
| <b>Standard Case Fill</b>  | Dry, Non-Fillable             |
| <b>Ambient Temperature</b> | -40° to 160°F                 |
| <b>Vent Plug</b>           | N/A                           |

Interested in ordering? Ordering information available at [MarshGauges.com](http://MarshGauges.com)