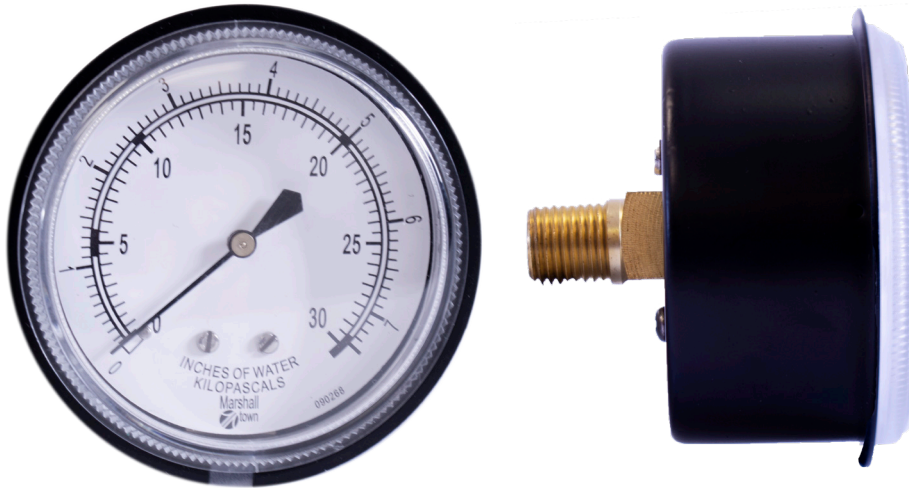


G Series - Low Pressure

Steel Case / Brass Internals / Center Back Mount



Product Specifications

Design

Meets/Exceeds ASME B40.100

Accuracy

For Ranges 30" H₂O and Above:

±2/1/2% (ASME Grade A)

For Ranges Below 30" H₂O:

±3/1/3%

Dial Size(s)

2 1/2" Diameter (40 mm)

Case

Steel, Black Painted

Bezel

N/A

Tube & Socket

Phosphor Bronze Diaphragm

Movement

Brass Sector and Pinion

Connection

1/8" & 1/4" NPT - Center Back Mount

Pressure Ranges

Low Pressure Vacuum + Pressure

10" H₂O through 10 psi

Standard Scale

Dual Scale with kPa

Triple Scale: oz/in², in H₂O, & kPa

Dial Color

Black Markings on White

Pointer

Aluminum, Black Painted

Window

2 1/2" Acrylic Twist-In Clearlok

3 1/2" Acrylic Twist-In Clearlok

4 1/2" Flat Acrylic with Steel Friction Ring

Standard Case Fill

Dry, Non-Fillable

Ambient Temperature

-40° to 160°F

Vent Plug

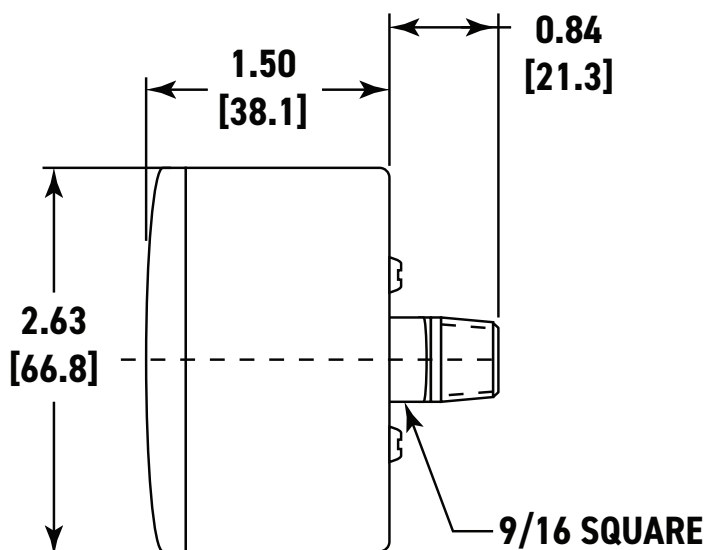
N/A

Weight

2 1/2" 0.5 lb.

Low Pressure Gauges from Marsh Instruments incorporate a diaphragm element allowing for accurate low-pressure readings in support of a variety of applications, with ASME Grade A 2/1/2% accuracy for ranges above 30" of water. Available ranges include vacuum and pressure in inches of water, ounces per square inch and millimeters of mercury.

Product Dimensions



Interested in ordering? Ordering information available at MarshGauges.com