

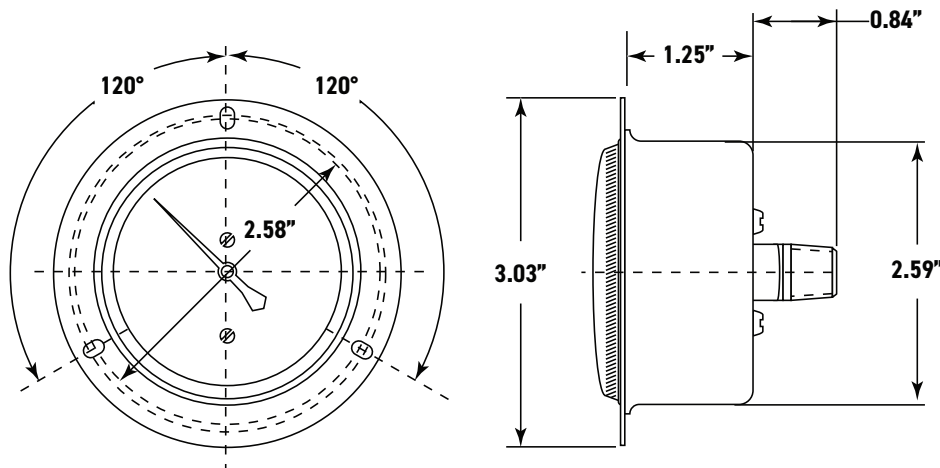
G Series - Low Pressure

Steel Case / Brass Internals / Front Flange Panel Mount



Low Pressure Gauges from Marsh Instruments incorporate a diaphragm element allowing for accurate low-pressure readings in support of a variety of applications, with ASME Grade A 2/1/2% accuracy for ranges above 30" of water. Available ranges include vacuum and pressure in inches of water, ounces per square inch, kilopascals, and millimeters of mercury.

Product Dimensions



Product Specifications

Design	Meets/Exceeds ASME B40.100
Accuracy	For Ranges 30" H ₂ O and Above: ±2/1/2% (ASME Grade A) For Ranges Below 30" H ₂ O: ±3/1/3%
Dial Size(s)	2 1/2" Diameter (40 mm)
Case	Steel, Black Painted
Bezel	N/A
Tube & Socket	Phosphor Bronze Diaphragm
Movement	Brass Sector and Pinion
Connection	1/8" & 1/4" NPT - Front Flange Panel Mount
Pressure Ranges	Low Pressure Vacuum + Pressure 10" H ₂ O through 10 psi
Standard Scale	Dual Scale with kPa Triple Scale: oz/in ² , in H ₂ O, & kPa
Dial Color	Black Markings on White
Pointer	Aluminum, Black Painted
Window	Acrylic Twist-In Clearlok
Standard Case Fill	Dry, Non-Fillable
Ambient Temperature	-40° to 160°F
Vent Plug	N/A
Weight	2 1/2" 0.5 lb.

Low Pressure Gauges