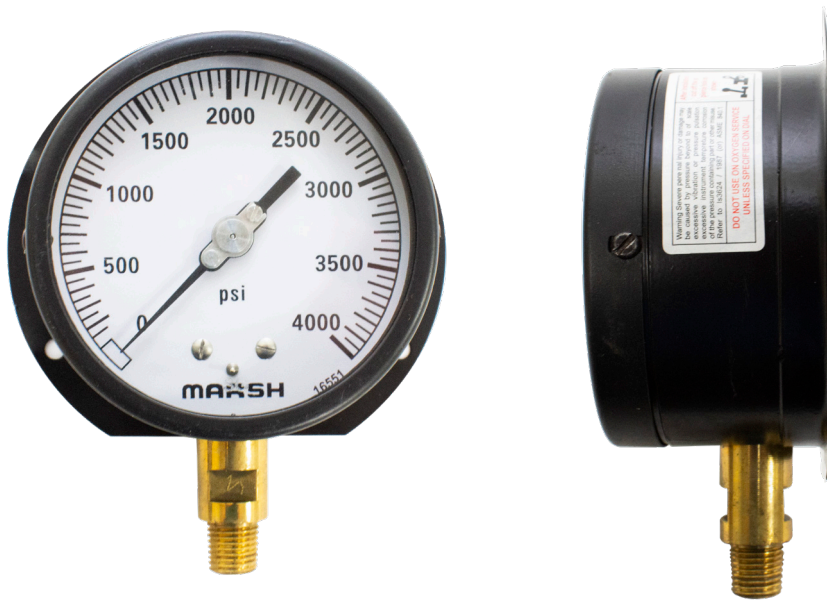


H12 Series

Heavy Duty - Increased Accuracy / 3.5" Backflange

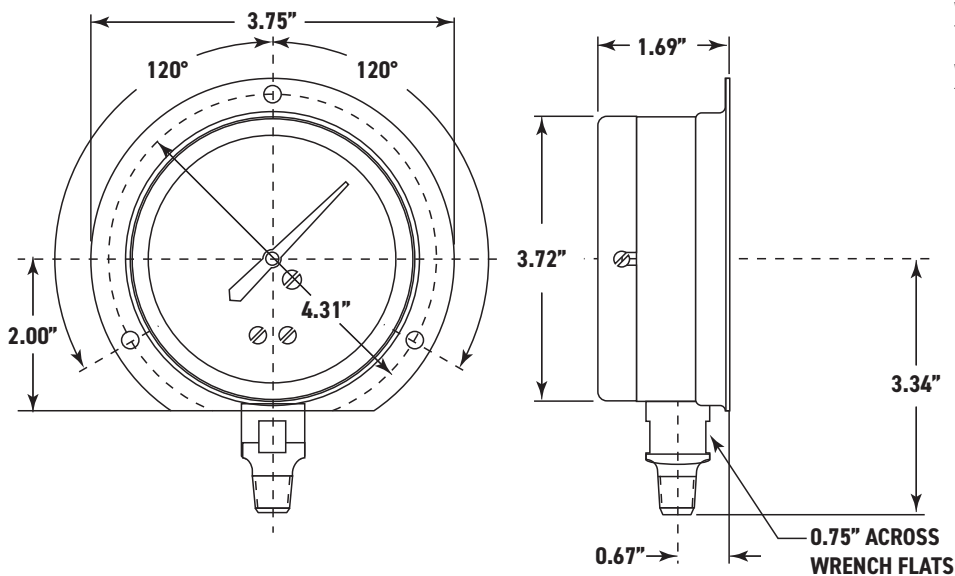


Marsh Instruments Quality Gauges feature the exclusive recalibrator and the accuracy is within $\pm 1''$ in the middle half of span. These gauges provide continuous service at an economical price.

Features:

- Recalibrator Standard on 3 1/2"
- Ranges to 20,000 psi

Product Dimensions



Product Specifications

Design

Meets/Exceeds ASME B40.100

Accuracy

$\pm 2/1/2\%$ (ASME Grade A)

Dial Size(s)

3 1/2" Diameter (89 mm)

Case

Steel, Black Painted

Bezel

Steel, Black Painted, Removable

Tube & Socket

0-1,000 psi: Copper Alloy

1,500- 20,000 psi: Stainless Steel

Movement

Stainless Steel

Connection

1/4 or 1/2 NPT - Lower Mount

Pressure Ranges

VAC/Compound to 20,000 psi

Standard Scale

Single Scale psi

Dial Color

Black Markings on White

Pointer

Aluminum, Black Painted

Window

Instrument Glass

Standard Case Fill

Dry, Non-Fillable

Ambient Temperature

-40° to 160°F

Vent Plug

N/A

Weight

2.0 lb.

Quality Series Gauges