

H18 Series

Stainless Steel Case Brass Internals / 3.5" Back Flange Lower Back Mount

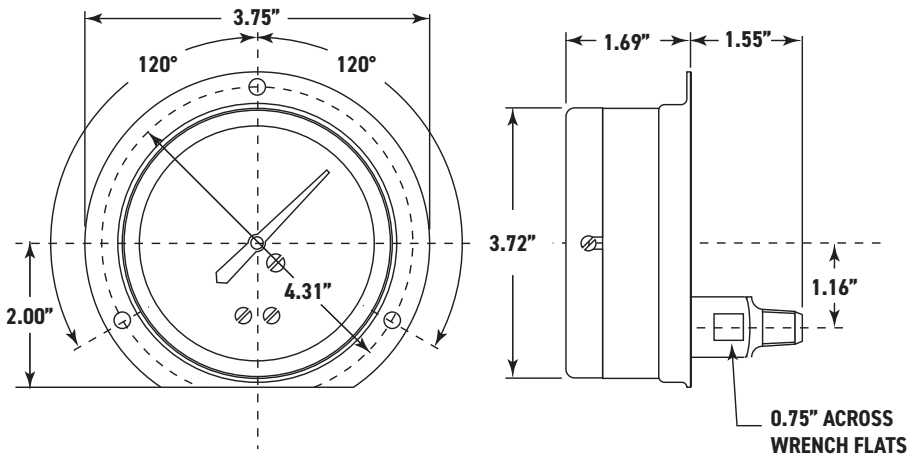


Marsh Instruments Quality Gauges feature the exclusive recalibrator and the accuracy is within ± 1 " in the middle half of span. These gauges provide continuous service at an economical price.

Features:

- Recalibrator Standard on 3 1/2"
- Ranges to 20,000 psi

Product Dimensions



Product Specifications

Design	Meets/Exceeds ASME B40.100
Accuracy	$\pm 2/1/2\%$ (ASME Grade A)
Dial Size(s)	3 1/2" Diameter (63 mm)
Case	Steel, Black Painted
Bezel	Steel, Black Painted, Removable
Tube & Socket	0-1,000 psi: Copper Alloy 1,500-20,000 psi: Stainless Steel
Movement	Stainless Steel
Connection	1/4 or 1/2 NPT - Back Flange-Lower Back Mount
Pressure Ranges	VAC/Compound to 20,000 psi
Standard Scale	Single Scale psi
Dial Color	Black Markings on White
Pointer	Aluminum, Black Painted
Window	Instrument Glass
Standard Case Fill	Dry, Non-Fillable
Ambient Temperature	-40° to 160°F
Vent Plug	N/A
Weight	2.0 lb

Quality Series Gauges