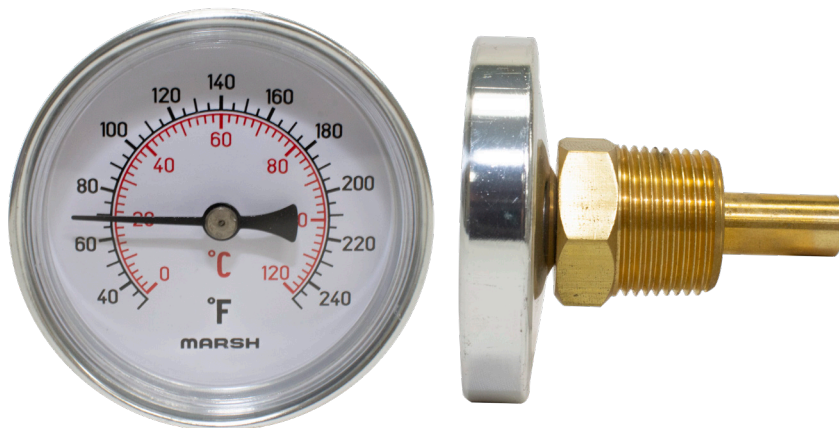


Hot Water Thermometer

Aluminum Case & Stem / Center Back Mount

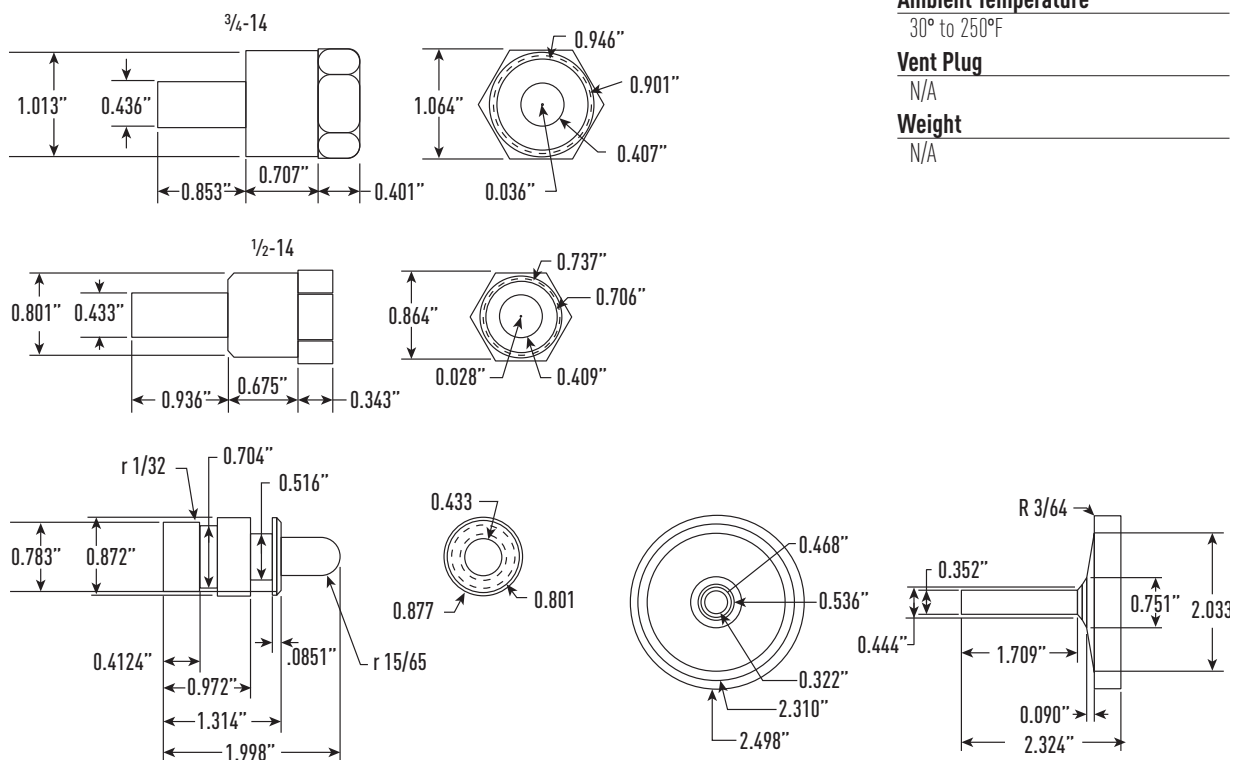


Marsh Instruments Hot Water Thermometers are designed for accurate temperature readings in hot water lines, boilers, and hydronic systems. Includes separable socket/well.

Features:

- 1% of Span Throughout Entire Range
- Aluminum Stem and Case Material
- Bi-Metallic Element

Product Dimensions



Product Specifications

Design

Meets/Exceeds ASME B40.100

Accuracy

±1% of Span Throughout Entire Range

Dial Size(s)

2 1/2" Diameter (63 mm)

Case

Aluminum

Bezel

Steel, Black Painted, Fixed

Tube & Socket

N/A

Movement

Bi-Metallic Element

Connection

1/2 & 3/4 NPT - Lower Mount

Temperature Ranges

30-250°F (0-120°C)

Standard Scale

Dual Scale Celsius and Fahrenheit

Dial Color

Black and Red Markings on White

Pointer

Aluminum, Black Painted

Window

Acrylic

Standard Case Fill

N/A

Ambient Temperature

30° to 250°F

Vent Plug

N/A

Weight

N/A