

OPERATION

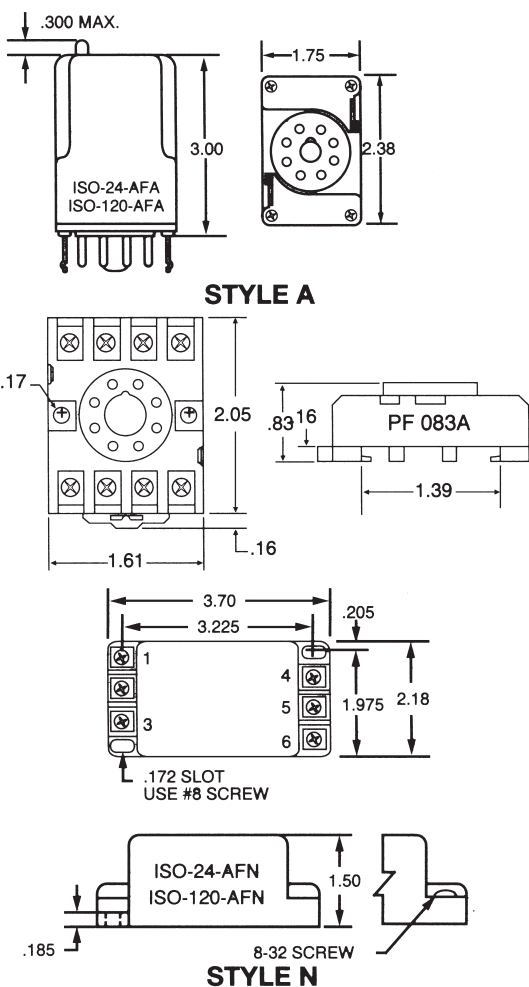
The **ISO Series single channel** devices are used to provide a safe and reliable means of controlling loads from hazardous locations without releasing sufficient energy, under normal or abnormal conditions, to cause ignition of a flammable or combustible atmospheric mixture while in its most easily ignited concentration. An isolated output turns on when the control switch input from the hazardous location is closed. When the control switch input opens, the isolated output turns off. The Style A single channel plug-in devices come equipped with integral spring mating clips and socket (PF083A) which secure the device to make this unit the only UL913 Intrinsically Safe plug-in associated apparatus available on the market today. The Style N, surface mounted enclosure is sealed with a high quality epoxy resin material and has five (5) #8-32 screw terminals.



Process Control Equipment
for Hazardous Locations
7M26
UL913

Single Channel Isolated Switch

DIMENSIONS (INCHES)



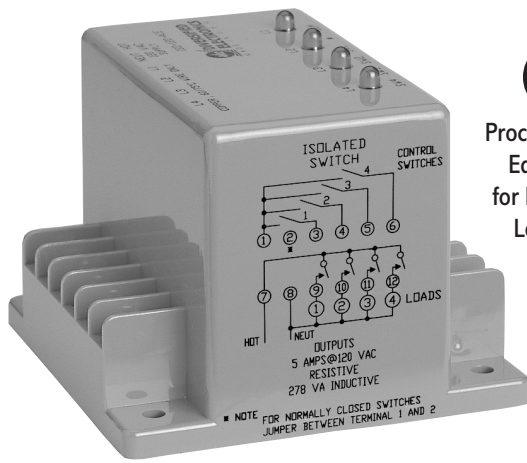
SPECIFICATIONS

CONTROL VOLTAGE	24 or 120 VAC ±10%, 50/60 Hz	
CONTROL SWITCH	Open Circuit Voltage	16 VDC
	Short Circuit Current	200 µAmps
RESPONSE	Operate	6 mSEC (Approx.)
	Release	2.5 mSEC (Approx.)
POWER REQUIRED	1.5 VA	
DUTY CYCLE	Continuous	
CONTACT RATING	SPST-N.O., 5 amps @ 24 or 120 VAC, Resistive; 278 VA, Inductive	
SENSITIVITY	100 k ohm	
ISOLATION	2500 Volts, Input to Output	
LIFE EXPECTANCY	Mechanical	20 Million Operations
	Electrical	50,000 Operations @ Rated Load
INDICATORS	On When Output is On	
TEMPERATURE RATING	Operate	-4° to 131°F (-20° to +55°C)
	Storage	-40° to 185°F (-40° to +85°C)
ENCLOSURE	Style "A" and "N"	
TERMINATIONS	(12) #8-32 Screw terminals	
WEIGHT	20 oz.	

ORDERING INFORMATION

MODEL NUMBER	CONTROL VOLTAGE	ENCLOSURE STYLE
ISO-24-AFA	24 VAC	A
ISO-120-AFA	120 VAC	A
ISO-24-AFN	24 VAC	N
ISO-120-AFN	120 VAC	N

Style "A" Socket Included (PF083A) with clips



Process Control
Equipment
for Hazardous
Locations
7M26
UL913

Multiple Channel Isolated Switch

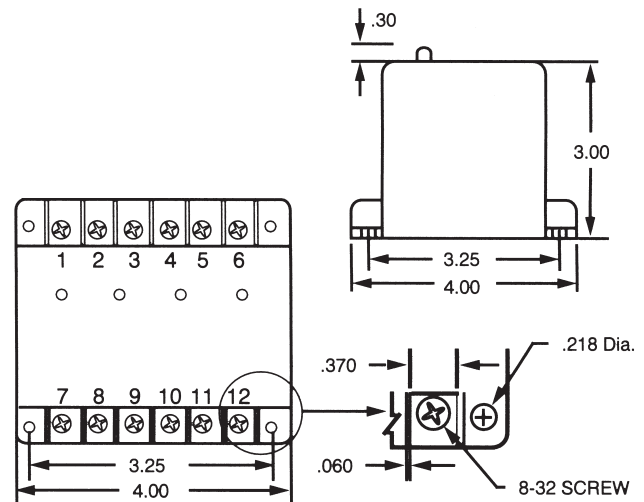
SPECIFICATIONS

CONTROL VOLTAGE	24 or 120 VAC $\pm 10\%$, 50/60 Hz	
CONTROL SWITCH	Open Circuit Voltage	6.2 VDC
	Short Circuit Current	10 μ Amps
RESPONSE TIMES	Operate	6 mSEC (Approx.)
	Release	2.5 mSEC (Approx.)
POWER REQUIRED	2.5 VA	
DUTY CYCLE	Continuous	
CONTACT RATING	SPST-N.O., 5 amps per channel @ 24 or 120 VAC, Resistive; 278 VA, Inductive	
ISOLATION	2500 Volts, Input to Output	
LIFE EXPECTANCY	Mechanical	20 Million Operations
	Electrical	50,000 Operations @ Rated Load
INDICATORS	On When Corresponding Output is On	
TEMPERATURE RATING	Operate	-4° to 131°F (-20° to +55°C)
	Storage	-40° to 185°F (-40° to +85°C)
ENCLOSURE	Style "E" Lexan® Surface Mounted	
TERMINATIONS	(12) #8-32 Screw terminals	
WEIGHT	8 oz.	

OPERATION

The **ISO/ISL Series multiple channel** devices are used to provide a safe and reliable means of controlling loads from hazardous locations without releasing sufficient energy under normal or abnormal conditions to cause ignition of a flammable or combustible atmospheric mixture while in its most easily ignited concentration. An isolated output turns on when the corresponding control switch input from the hazardous location is activated. When using normally closed control switch inputs, a jumper should be installed between terminals 1 and 2. Normally open control switch inputs do not require the optional jumper. When the **non-latching ISO Series** control switch input is activated, its corresponding output turns on. When the control switch input is deactivated, its output turns off. When the **latching ISL Series** control switch input 2, 3 or 4 is activated, its corresponding output turns on. When control switch 2, 3 or 4 is deactivated, its corresponding output remains latched on as long as control switch input 1 is activated; otherwise it turns off immediately. Control switch input 1 also controls output 1 just as in the non-latching ISO Series.

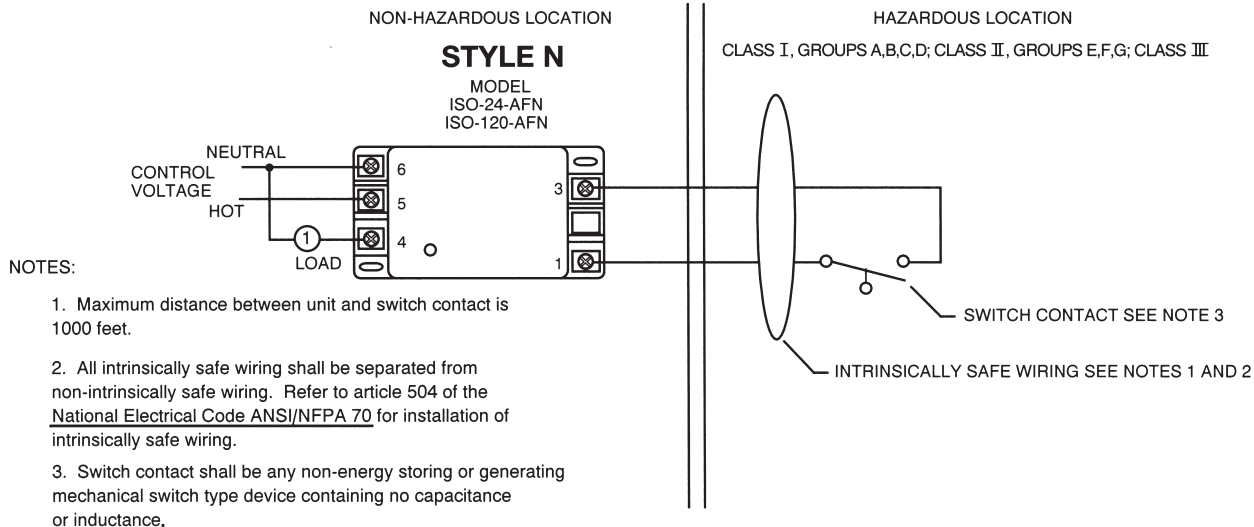
DIMENSIONS (INCHES)



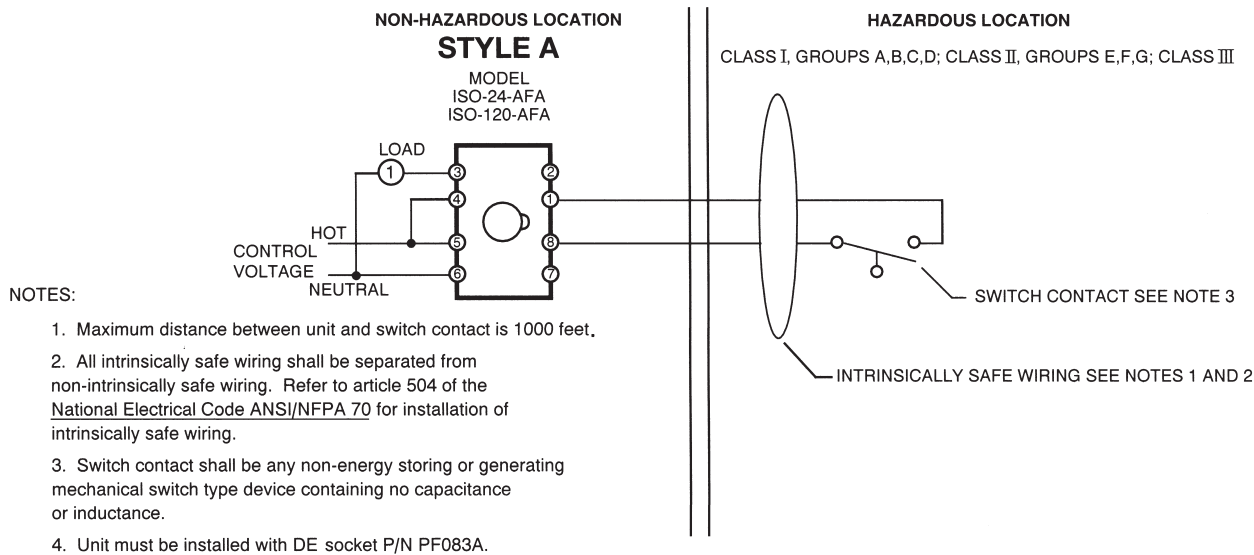
ORDERING INFORMATION

MODEL NUMBER	CONTROL VOLTAGE	CHANNELS
ISL-24-AAE	24 VAC	2
ISL-24-ABE	24 VAC	3
ISL-24-ACE	24 VAC	4
ISL-120-AAE	120 VAC	2
ISL-120-ABE	120 VAC	3
ISL-120-ACE	120 VAC	4
ISO-24-AAE	24 VAC	2
ISO-24-ABE	24 VAC	3
ISO-24-ACE	24 VAC	4
ISO-120-AAE	120 VAC	2
ISO-120-ABE	120 VAC	3
ISO-120-ACE	120 VAC	4

CONTROL DRAWING 191



CONTROL DRAWING 192



CONTROL DRAWING 193

