

J64R Series

Stainless Steel Case / Brass Internals / 2.5" Front Flange

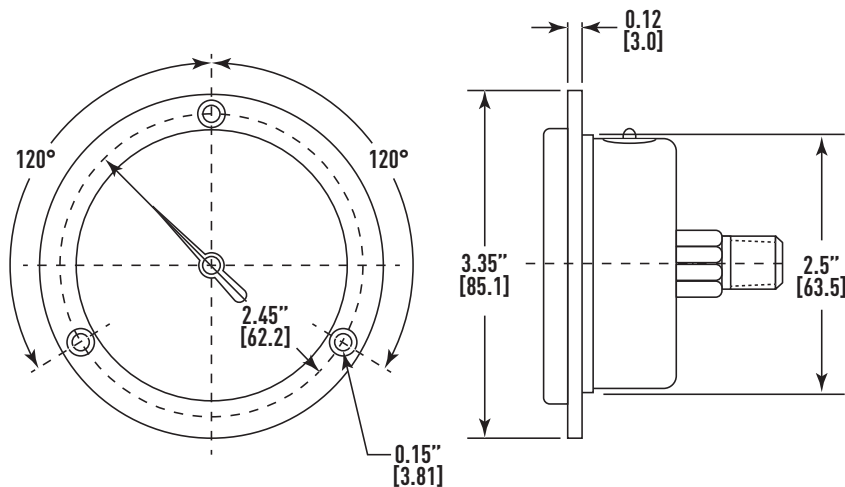


Marsh Instruments Severe Service Liquid Filled Gauges are designed to perform in rugged and harsh environmental conditions, especially where pulsation or vibration is a problem. Liquid Filled Gauges offer a significant cushioning and dampening effect, reducing pointer flutter and lubricating the internals.

Features:

- Liquid Filled for Dampening Effect
- Weatherproof/Hermetically Sealed
- Heavy Duty Socket Design

Product Dimensions



Product Specifications

Design

Meets/Exceeds ASME B40.100

Accuracy

±3/2/3% (ASME Grade B)

Dial Size(s)

2.5" Diameter (63 mm)

Case

304 Stainless Steel

Bezel

304 Stainless Steel - Fixed

Tube & Socket

316 Stainless Steel

Movement

Brass

Connection

1/4 NPT - Front Flange Panel Mount

Pressure Ranges

VAC/Compound to 10,000 psi

Standard Scale

Dual Scale psi/kPa

Dial Color

Black Markings on White

Pointer

Aluminum, Black Painted

Window

Polycarbonate

Standard Case Fill

Dry

Glycerine

Silicone

Ambient Temperature

Dry: -40° to 180°F

Glycerine: 30° to 160°F

Silicone: -40° to 180°F

Vent Plug

Filter/Pressure Relief Plug

Weight

0.5 lb.