

J74 Series

Stainless Steel Case / Stainless Steel Internals / 2.5" U-Clamp Panel Mount

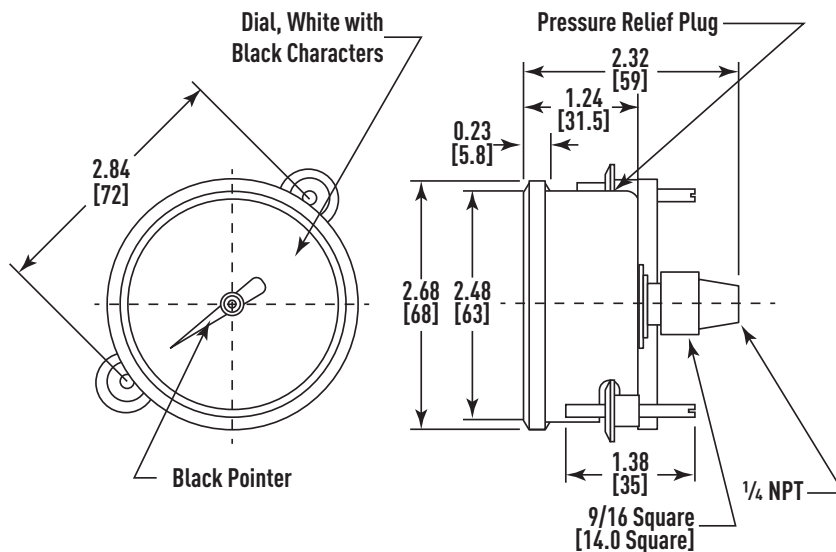


Marsh Instruments Severe Service Liquid Filled Gauges are designed to perform in rugged and harsh environmental conditions, especially where pulsation or vibration is a problem. Liquid Filled Gauges offer a significant cushioning and dampening effect, reducing pointer flutter and lubricating the internals.

Features:

- 316 Stainless Steel Internals
- Heavy Duty 1 Piece Socket Design
- Liquid Filled for Dampening Effect

Product Dimensions



Product Specifications

Design

Meets/Exceeds ASME B40.100

Accuracy

±3/2/3% (ASME Grade B)

Dial Size(s)

2.5" Diameter (63 mm)

Case

304 Stainless Steel

Bezel

304 Stainless Steel - Fixed

Tube & Socket

316 Stainless Steel

Movement

Stainless Steel

Connection

1/4 NPT - U-Clamp Panel Mount

Pressure Ranges

VAC/Compound to 15,000 psi

Standard Scale

Dual Scale psi and kPa

Dial Color

Black Markings on White

Pointer

Aluminum, Black Painted

Window

Polycarbonate

Standard Case Fill

Dry
Glycerine
Silicone

Ambient Temperature

Dry: -40° to 180°F
Glycerine: 30° to 160°F
Silicone: -40° to 180°F

Vent Plug

Filter/Pressure Relief Plug

Weight

0.5 lb.