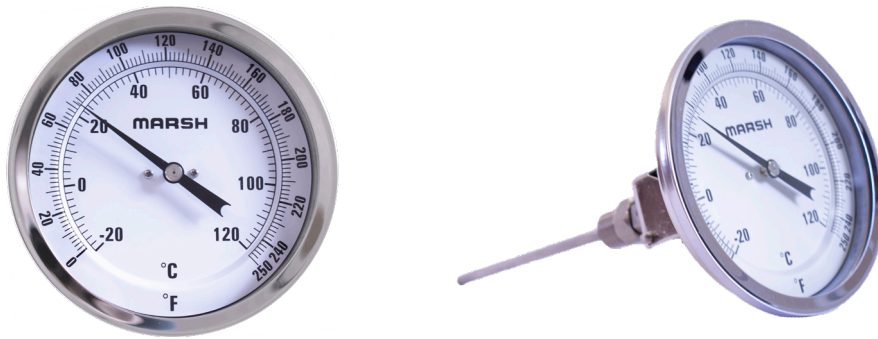


# L33/53 Series - Bimetal Thermometer



Stainless Steel Case & Stem / Adjustable Angle

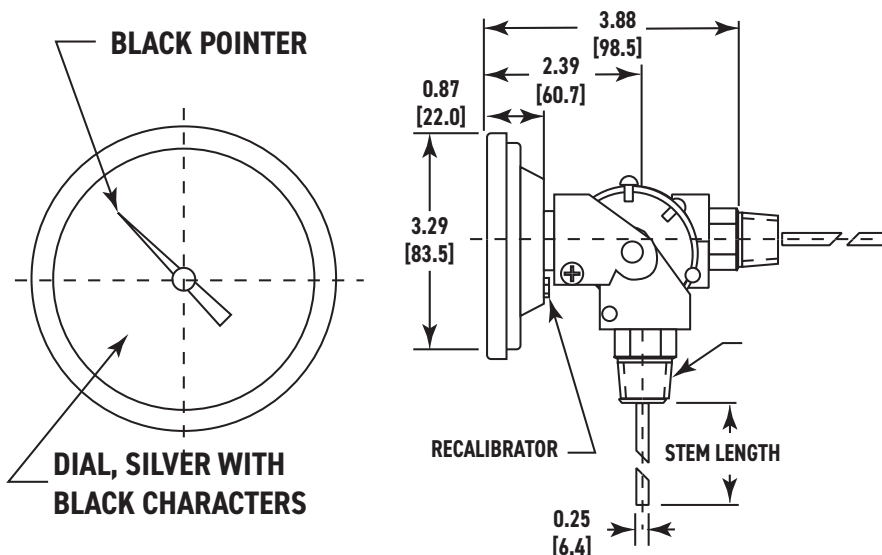


Marsh Instruments Bimetal Thermometers are heavy-duty instruments for temperature indication in dual scale ranges from -50° to 1,000°F (-40° to 525°C). Series "L" Bimetal Thermometers include an easy-to-read dual scale, fast response, and accurate temperature indication. The hermetically sealed case is resistant to shock, vibration, dust, and moisture. The bimetal sensing element provides an accuracy to within 1% of scale. An external adjustment screw on the back of the case provides convenient reset and field calibration. Built-in over-range protection is a standard feature.

## Features:

- Adjustable Angle Dial
- 1% Accuracy
- Stainless Steel Stem and Case Material
- Welded Stem of Socket Connection

## Product Dimensions



## Product Specifications

<b>Design</b>	Meets/Exceeds ASME B40.100
<b>Accuracy</b>	±1% of Span Throughout Entire Range recommended 2" Immersion in Liquids, 4" in Gases
<b>Dial Size(s)</b>	3", 5" Diameter
<b>Case</b>	304 Stainless Steel
<b>Bezel</b>	304 Stainless Steel
<b>Stem</b>	2 1/2", 4", 6", 9", 12", 15", 18", 24" Stainless Steel, 1/4" Diameter
<b>Movement</b>	Bimetal Element - Dampened
<b>Connection</b>	1/2" NPT - Adjustable Connection (3" & 5")
<b>Temperature Ranges</b>	-50° to 1,000°F
<b>Standard Scale</b>	Dual Scale in Celsius and Fahrenheit
<b>Dial Color</b>	Black Markings on White
<b>Pointer</b>	Steel, Black Painted
<b>Window</b>	Glass, Hermetically Sealed Acrylic (Optional)
<b>Standard Case Fill</b>	Dry, Non-Fillable
<b>Weight</b>	N/A

Thermometers