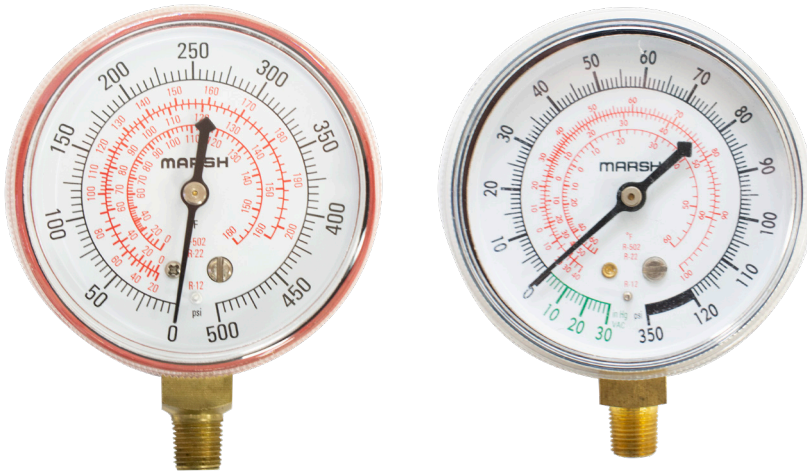


Manifold Gauges

Steel or Plastic Case / Brass Internals / Lower Mount



HVAC/R Gauges

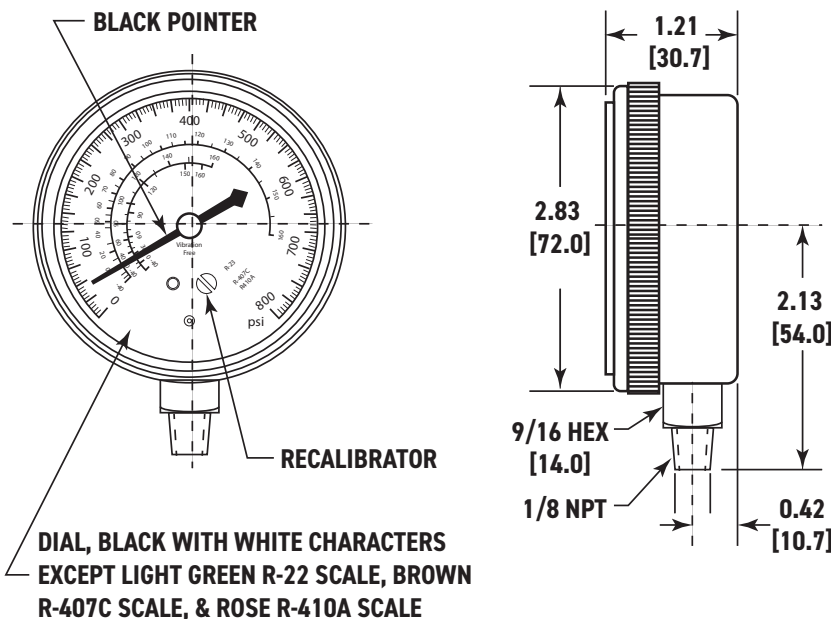


Marsh Refrigeration Manifold Gauges are designed for the pressure measurement of refrigeration systems. All dials are furnished with corresponding temperature scales for the various refrigerants. Dials feature R-12, R-22, and R-502. Standard connections are 1/8" NPT lower mount with your choice of red or blue case.

Features:

- Recalibrator and Restrictor Standard
- Color Coded Cases, "Reds" and "Blues"
- Overpressure Protections to 350 psi

Product Dimensions



Product Specifications

Design

Meets/Exceeds ASME B40.100

Accuracy

±3/2/3% (±2% of Range Across Middle Half of Scale)

Dial Size(s)

2 1/2" Diameter

Case

Steel or Plastic; Red or Blue

Bezel

Twist-Off Lens

Tube & Socket

Copper Alloy

Movement

Brass with Recalibrator

Connection

1/8" NPT with Restrictor Standard

Pressure Ranges

0-500 psi, 30" Hg VAC to 120 psi
Retarded to 350 psi

Standard Scale

psi with Corresponding Temperature Scales

Dial Color

Black Markings on White with Red or Blue Temperature Scales

Pointer

Aluminum, Black Painted

Window

Impact Resistant Plastic

Standard Case Fill

Dry, Non-Fillable

Ambient Temperature

-40° to 160° F

Vent Plug

N/A

Weight

0.5 lb.