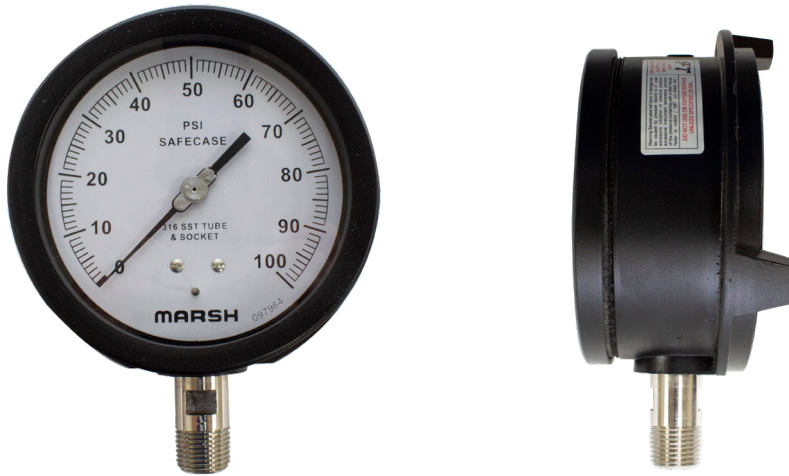


# P14 Series - Process Gauge

Aluminum Case / Stainless Steel Internals / 4.5" Lower Mount

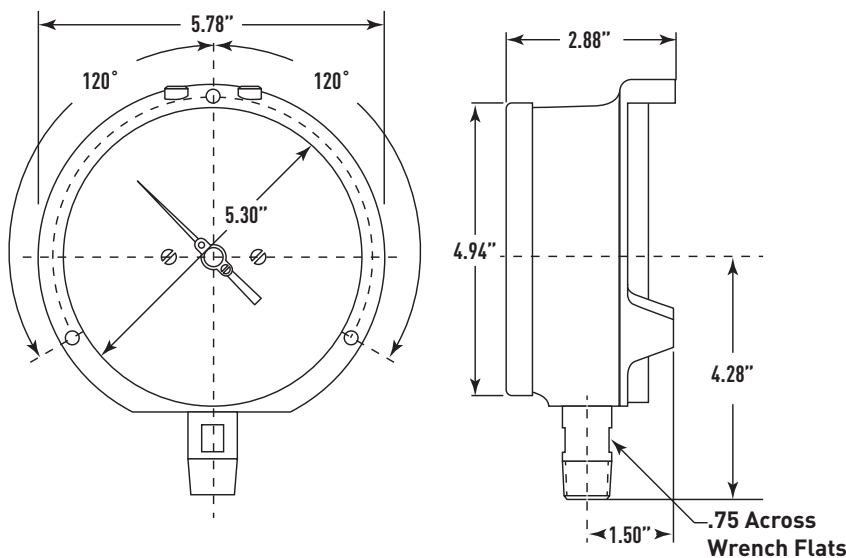


With over 155 years of proven experience, an extensive list of designs and options make the Marsh Instruments line of Process Gauges the intelligent and practical choice in process instrumentation. All case styles feature SAFECASE solid front construction.

## Features:

- Solid Front SAFECASE
- 0.5% Full Scale Accuracy
- Pressure Ranges Vacuum to 20,000 psi
- Dry or Liquid Filled
- Micrometer Pointer

## Product Dimensions



## Product Specifications

### Design

Meets/Exceeds ASME B40.100

### Accuracy

±0.5% of Full Scale (ASME Grade A)

### Dial Size(s)

4 1/2" Diameter (100 mm)

### Case

SAFECASE Aluminum

### Bezel

Aluminum - Removable

### Tube & Socket

Copper Alloy or 316 Stainless Steel

### Movement

Stainless Steel

### Connection

1/4 & 1/2 NPT - Lower Mount

### Pressure Ranges

VAC/Compound to 20,000 psi

### Standard Scale

Single Scale psi

### Dial Color

Black Markings on White

### Pointer

Aluminum, Black Painted, Micro-Adjustable

### Window

Safety Glass

### Standard Case Fill

Dry

Glycerine

Silicone

### Ambient Temperature

Dry: -40° to 180°F

Glycerine: 30° to 160°F

Silicone: -40° to 180°F

### Vent Plug

Internal Compensating Diaphragm

### Weight

Dry 5.0 lb.

Filled 6.0 lb.