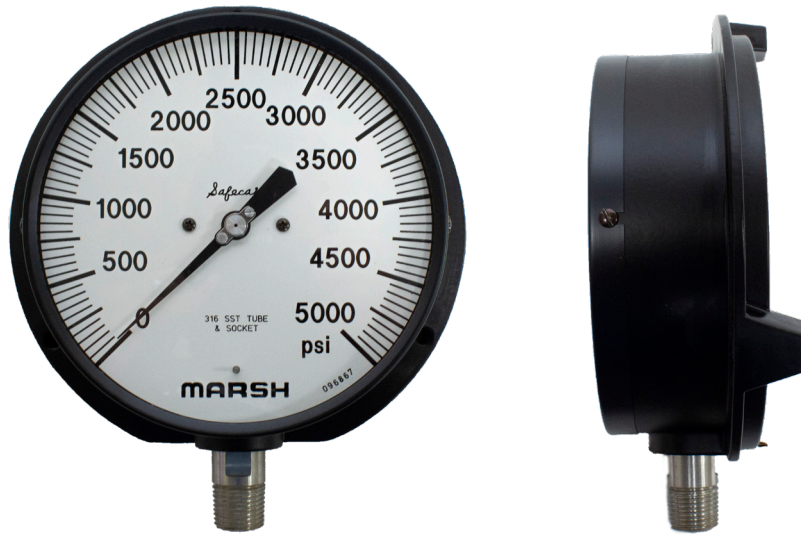


P24 Series - Process Gauge

Aluminum Case / Stainless Steel Internals / 6" Backflange Lower Mount



Product Specifications

Design

Meets/Exceeds ASME B40.100

Accuracy

±0.5% of Full Scale (ASME Grade A)

Dial Size(s)

6" Diameter (150 mm)

Case

SAFECASE Aluminum

Bezel

Aluminum - Removable

Tube & Socket

Copper Alloy or 316 Stainless Steel

Movement

Stainless Steel

Connection

¼ & ½ NPT - Lower Mount

Pressure Ranges

VAC/Compound to 20,000 psi

Standard Scale

Single Scale psi

Dial Color

Black Markings on White

Pointer

Aluminum, Black Painted, Micro-Adjustable

Window

Safety Glass

Standard Case Fill

Dry

Glycerine

Silicone

Ambient Temperature

Dry: -40° to 180°F

Glycerine: 30° to 160°F

Silicone: -40° to 180°F

Vent Plug

Internal or Compensating Diaphragm

Weight

Dry 5.0 lb.

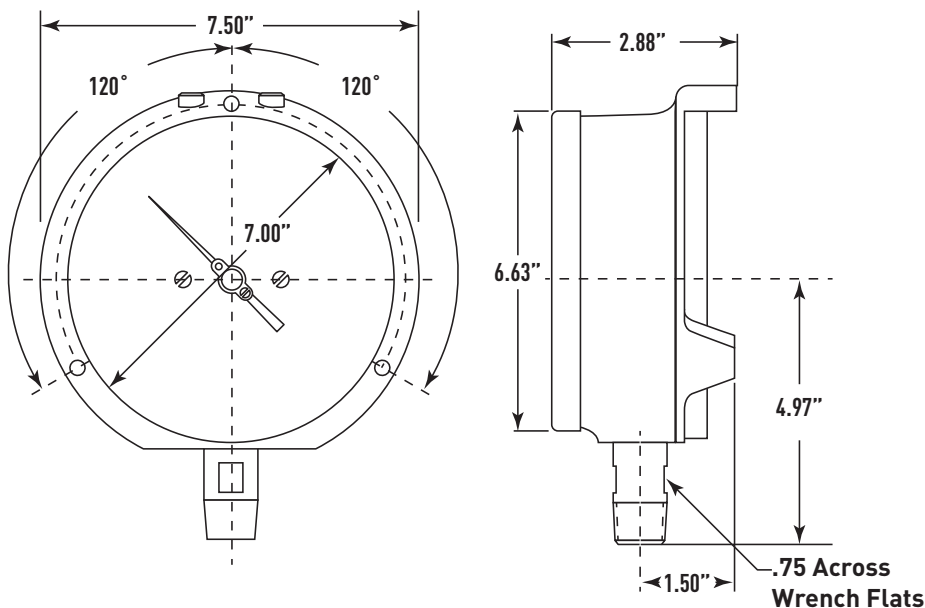
Filled 6.0 lb.

With over 155 years of proven experience, an extensive list of designs and options make the Marsh Instruments line of Process Gauges the intelligent and practical choice in process instrumentation. All case styles feature SAFECASE solid front construction.

Features:

- Solid Front SAFECASE
- 0.5% Full Scale Accuracy
- Pressure Ranges Vacuum to 20,000 psi
- Dry or Liquid Filled
- Micrometer Pointer

Product Dimensions



Interested in ordering? Ordering information available at MarshGauges.com