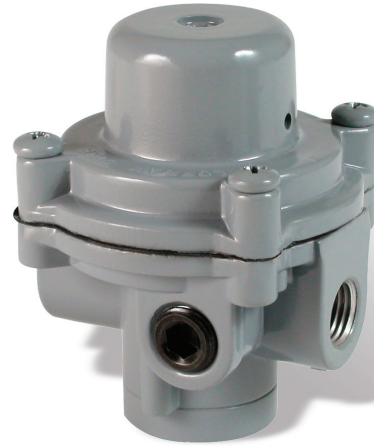


P800 Relief Valve

The 800 is a direct operating, in-line, factory preset relief valve for use in pneumatic applications that warrant protection from over pressurization. The P800 is used primarily between a pneumatic instrument and a supply regulator to limit the instrument supply pressure to 50 PSIG in the case of a supply regulator failure.

Applications

- Instrument air supply
- Rolling diaphragm for enhanced accuracy
- Tamper resistant spring case



P800 Part Matrix

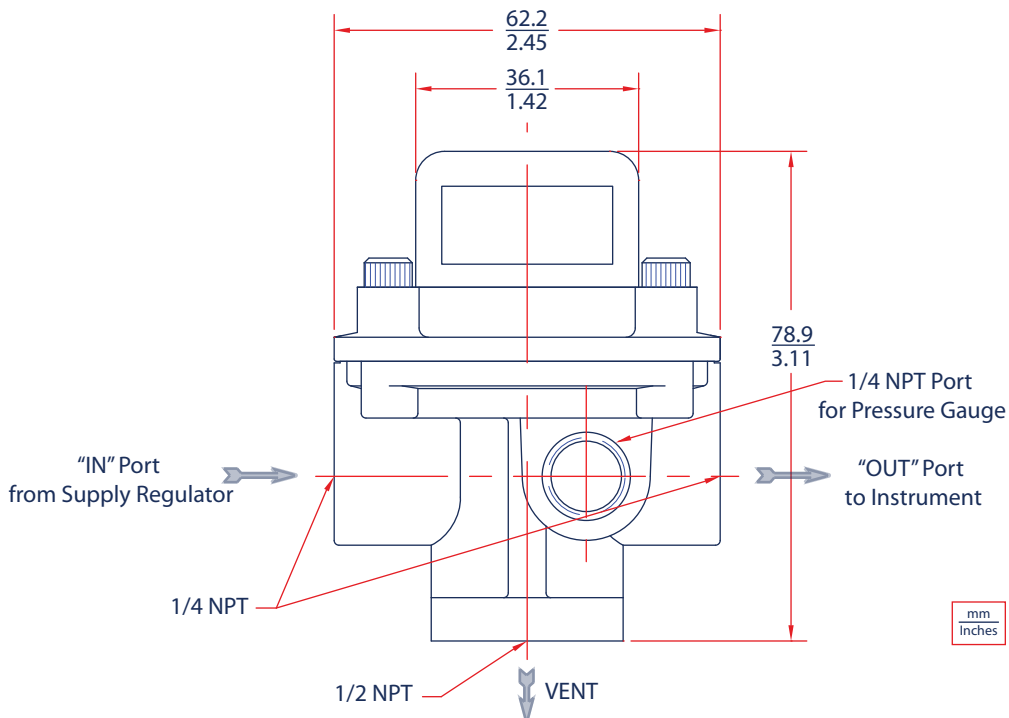
P80002		000000	
	↑		Output Pressure Setting
	xxx		Enter Pressure in PSIG setting Desired Minimum 2 PSIG (002) Maximum 50 PSIG (050)
		000000	

Specifications

Non-rising Adjustment Assembly		
Large 0.344 Relief Seat Diameter		
Large Diaphragm Area		
1/4 NPT Ports		
Factory Preset	Plugged and Tamper Resistant	
1/2 NPT Tapped Vent		
Weight Approximate		
	0.56 lb	0.25 kg
Temperature Range		
	20° to 150°F	-29° to 66°C

Accessories

	Part Number
Mounting Bracket	607-000-057



BelGAS

A Division of the Marsh Bellofram Group of Companies

8019 Ohio River Blvd.
Newell, WV 26050
(304) 387-1200 | www.belgas.net



BelGAS Website

With decades of proven market experience, the BelGAS division of Marsh Bellofram is a global leader in the design and manufacturing of high pressure regulators, low pressure regulators, and other flow control products. Scan the QR or visit our website at <https://bit.ly/BelGAS>



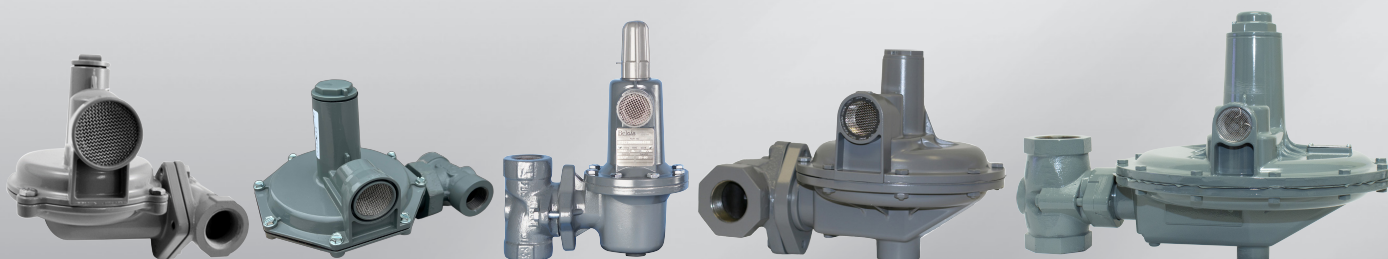
BelGAS Regulator Sizing Wizard

Need help finding the right regulator for your application? Check out the BelGAS Regulator Sizing Wizard - an interactive online tool that makes it easier than ever to precisely match a regulator with your specifications. Scan the QR code or visit our website at <https://bit.ly/BelGAS-Wizard>



BelGAS Videos

Interested in learning more about what BelGAS has to offer? Visit our YouTube channel and check out the BelGAS playlist for How-Tos, product overviews, and more! Scan the QR code or watch the videos on our YouTube channel at <https://bit.ly/BelGAS-YouTube-List>



The contents of this publication are presented for informational purposes only. Although we have made reasonable efforts to give information that we believe is up-to-date and accurate, we make no representations or warranties regarding its adequacy, accuracy, completeness, or correctness. We do not warrant or represent that the information is complete in every respect. Our terms and conditions, which are available upon request, govern all sales. We reserve the right to modify or improve the designs and specifications of our products, and the information contained in this document is subject to change without notice.

We reserve the right to modify or improve the designs or specifications of our products and the information contained in this document is subject to change without notice. The user is solely responsible for making the final selection of the product and assuring that all installation, performance, endurance, maintenance, safety, and warning requirements of the product are met. Final product recommendations should be verified by a gas professional.

BelGAS does not assume responsibility for its products' selection, use, or maintenance. Neither BelGAS nor its suppliers shall be liable for any loss or damage to the user or third parties caused by the product, the confidential information of BelGAS, or BelGAS's performance of these terms.