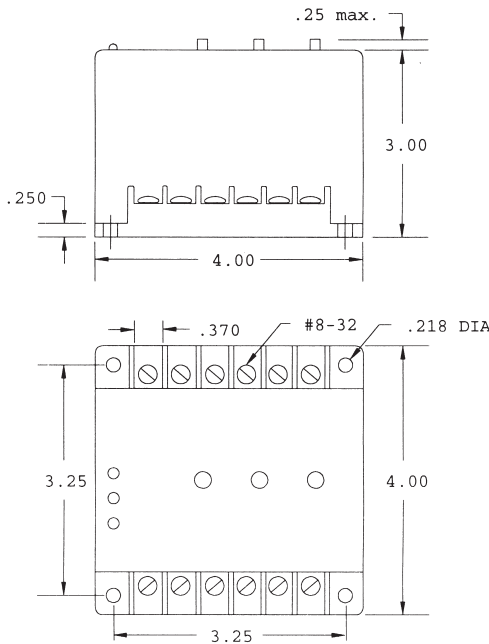
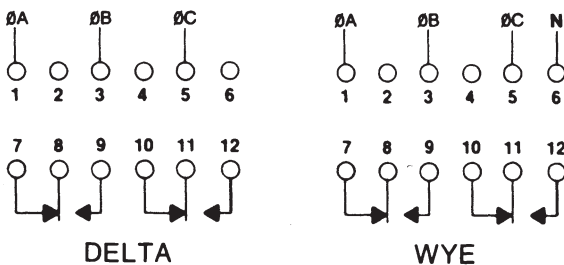


True RMS Voltage Band Monitor

DIMENSIONS (INCHES)



WIRING



In today's industrial environment, Line Noise and Power Line Harmonics are becoming an increasing problem. **TRUE-RMS** detection may be necessary for achieving accurate Line Voltage measurement.

OPERATION

With normal operating voltages applied in the proper ABC sequence, the internal relay will energize (PICK-UP). When the voltages on any or all phases fall outside the preset Over/Under trip points for longer than the Drop-Out Time delay, the relay will de-energize (DROP-OUT). When line conditions return to normal, the PBE Series Monitor automatically resets and the internal relay energizes.

The PBE Series is UL Listed under UL File Number E55826.

SPECIFICATIONS

OUTPUT RATING	DPDT, 10 Amps Resistive, 1/4 HP 278VA @ 240 VAC
RESET	Automatic
PHASE SEQUENCE	ABC (Will Not Operate CBA)
HYSTERESIS	2%
REPEAT ACCURACY	0.1% @ Fixed Condition
INDICATORS LED	Glow On Fault; (1) For Over, (1) For Under, (1) For Sequence
RESPONSE TIMES	Operate 200 mSEC (approx.) Release 0.2 to 30 SEC, Adjustable
TEMPERATURE RATING	Operate 32° to +104°F (0° to +40°C) Storage -49° to 185°F (-45° to +85°C)
ENCLOSURE	Style "E" LEXAN® Surface Mount
WEIGHT	14 oz.

DELTA CONNECTED

MODEL NUMBER	MAXIMUM VOLTAGE	ADJUSTABLE RANGES	
		UNDER	OVER
PBE-120-ASE	155 VAC	90-120	120-150
PBE-230-ASE	275 VAC	185-240	208-265
PBE-400-ASE	485 VAC	325-385	415-475
PBE-440-ASE	550 VAC	390-480	440-540
PBE-480-ASE	570 VAC	400-490	460-560
PBE-575-ASE	700 VAC	500-610	540-690

All voltages referenced on this page are phase-to-phase, unless otherwise indicated.

WYE CONNECTED

MODEL NUMBER	MAXIMUM VOLTAGE	ADJUSTABLE RANGES (Phase to Neutral)	
		UNDER	OVER
PBE-120/208-ASE	160 VAC, P to N 277 VAC, P to P	90-120	120-150
PBE-220/380-ASE	260 VAC, P to N 450 VAC, P to P	185-220	220-255
PBE-277/480-ASE	326 VAC, P to N 565 VAC, P to P	235-277	277-320

All voltages referenced on this page are phase-to-phase, unless otherwise indicated.