

PL83 Pilot Regulator

The PL83 is a low pressure unit for the inches of water column spring ranges of the 2" F289 and is a high bleed restriction pilot.

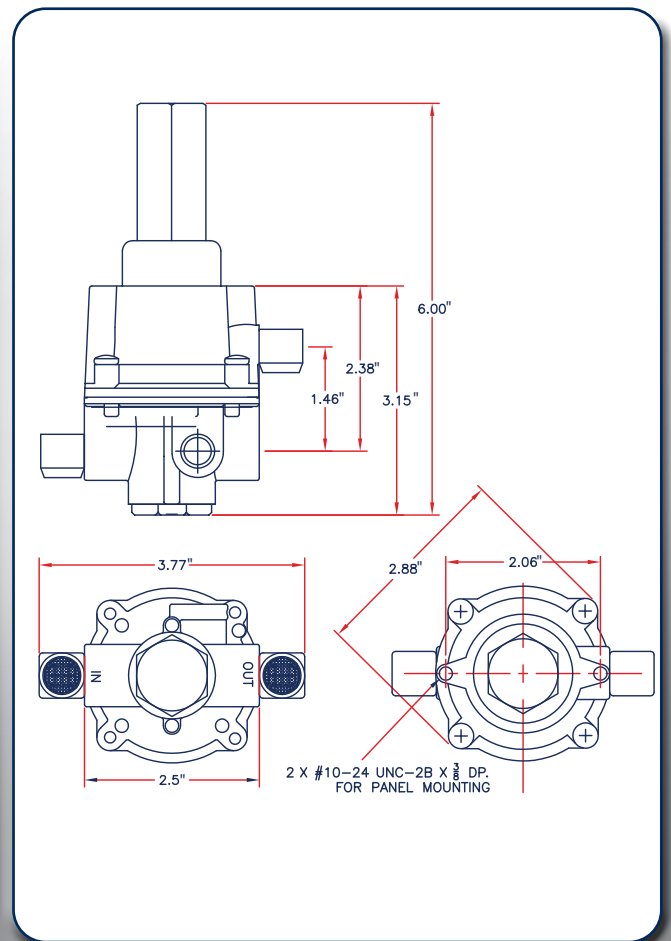
The gain options of low, medium and high allow for the lowest build ups and fastest response time - high gain being the fastest.



PL83 Pilot Matrix (For F289 Regulator)

PL			02					000	Version
	83								For WC Ranges
		B							Configuration
									Relief Device
									Spring Range -
									W.C. or PSIG / BAR
			002						14" W.C.-2 PSIG / 0.03-0.13
									Bleed Restrictions
				L					Low Gain
				S					Standard Gain
				H					High Gain
									Trim
					0				Nirile (NBR)
					2				Fluorocarbon (FKM)
									Body Material
						0			Aluminum

PL83 Dimensions

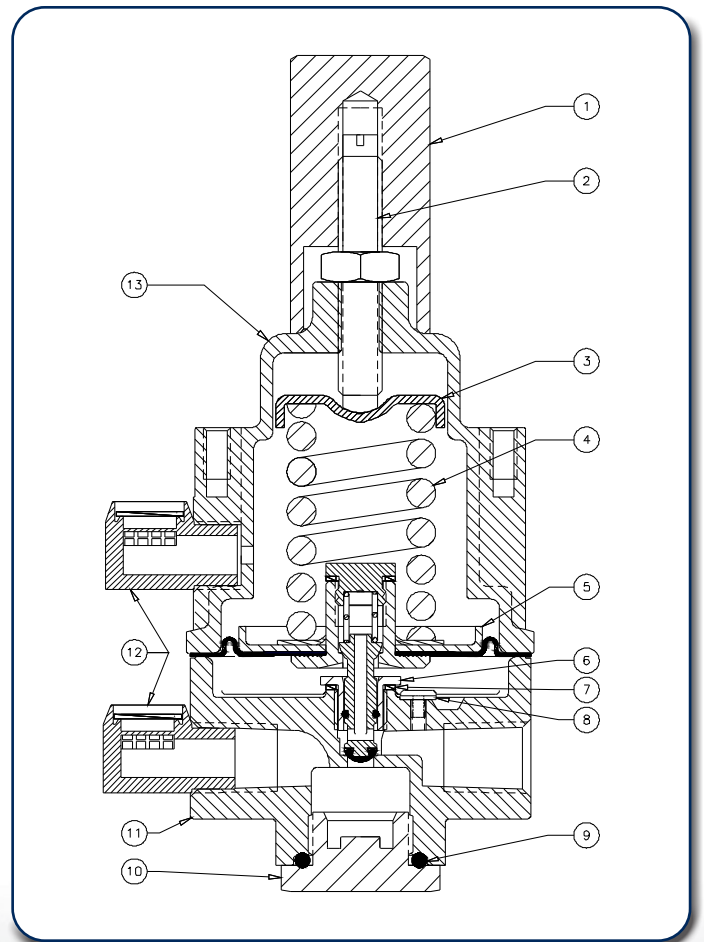


PL83 Parts

Item	Description
1	Tamperproof Nut
2	Adjustment Screw Assembly
3	Spring Guide
4	Range Spring
5	Diaphragm Assembly
6	Stem Guide
7	Gasket
8	Restrictor Screw
9	O-Ring
10	Bottom Plug
11	Body
12	Exhaust Filter
13	Bonnet
14	Build Screws (Not Shown)

Replacement Parts

Range Springs	
14" W.C.-2 PSIG	655-749-000
Diaphragm Assembly	
Nitrile	804-281-002
FKM	804-281-003
Restrictor Screws	
Standard Gain	648-543-000
Low Gain	648-543-001
High Gain	648-543-002



BelGAS

A Division of the Marsh Bellofram Group of Companies

8019 Ohio River Blvd.
Newell, WV 26050
(304) 387-1200 | www.belgas.net



BelGAS Website

With decades of proven market experience, the BelGAS division of Marsh Bellofram is a global leader in the design and manufacturing of high pressure regulators, low pressure regulators, and other flow control products. Scan the QR or visit our website at <https://bit.ly/BelGAS>



BelGAS Regulator Sizing Wizard

Need help finding the right regulator for your application? Check out the BelGAS Regulator Sizing Wizard - an interactive online tool that makes it easier than ever to precisely match a regulator with your specifications. Scan the QR code or visit our website at <https://bit.ly/BelGAS-Wizard>



BelGAS Videos

Interested in learning more about what BelGAS has to offer? Visit our YouTube channel and check out the BelGAS playlist for How-Tos, product overviews, and more! Scan the QR code or watch the videos on our YouTube channel at <https://bit.ly/BelGAS-YouTube-List>



The contents of this publication are presented for informational purposes only. Although we have made reasonable efforts to give information that we believe is up-to-date and accurate, we make no representations or warranties regarding its adequacy, accuracy, completeness, or correctness. We do not warrant or represent that the information is complete in every respect. Our terms and conditions, which are available upon request, govern all sales. We reserve the right to modify or improve the designs and specifications of our products, and the information contained in this document is subject to change without notice.

We reserve the right to modify or improve the designs or specifications of our products and the information contained in this document is subject to change without notice. The user is solely responsible for making the final selection of the product and assuring that all installation, performance, endurance, maintenance, safety, and warning requirements of the product are met. Final product recommendations should be verified by a gas professional.

BelGAS does not assume responsibility for its products' selection, use, or maintenance. Neither BelGAS nor its suppliers shall be liable for any loss or damage to the user or third parties caused by the product, the confidential information of BelGAS, or BelGAS's performance of these terms.