

The **SLC Series** is designed to protect 3-phase equipment against Phase **UNBALANCE** and **PHASE LOSS** conditions.

OPERATION

With normal operating voltages applied to all three phases, the internal relay will remain de-energized (DROPPED-OUT).

When a Phase Loss or Phase Unbalance exceeding the pre-selected trip point occurs, the relay will energize (PICK-UP). The SLC series is typically used in conjunction with a **SHUNT TRIP BREAKER**.

Both Delta and Wye systems may be monitored. In Wye systems, connections to neutral are not required.

NOTE: When a phase is lost while the motor is running, a condition known as regeneration occurs where a voltage is induced into the open phase nearly equal in magnitude to the normal phase-to-phase voltage. The SLC series is designed to detect this condition when properly adjusted.

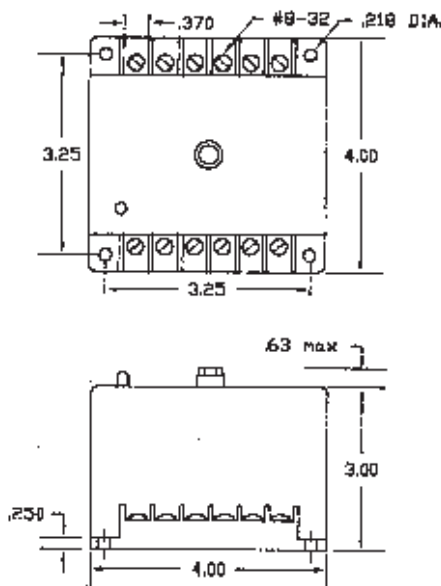


Phase Unbalance & Loss Monitor

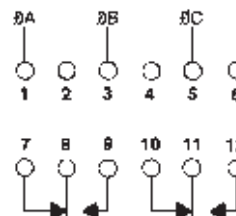
SPECIFICATIONS

OPERATING VOLTAGE	See Table Below	
TRANSIENT PROTECTION	1000 Volts For 8 mSEC	
RESET	Automatic	
PHASE UNBALANCE RANGE	2% to 10%, Adjustable	
INDICATORS LED	Glow On Fault Condition	
RESPONSE TIMES	Operate	0.08 SEC
	Release	0.7 SEC
TEMPERATURE RATING	Operate	32° to +131°F (0° to +55°C)
	Storage	-49° to 185°F (-45° to +85°C)
U.S. PATENT NUMBER	4,331,995	
WEIGHT	12.5 oz.	

DIMENSIONS (INCHES)



WIRING



MODEL NUMBER	OPERATING VOLTAGE	POWER REQUIRED	OUTPUT RATING
SLC-120-ALE	120 VA	3 VA Max.	DPDT, 5 Amps, Resistive; 345 VA, Inductive @ 240 VAC
SLC-230-ALE	208/240 VAC		
SLC-380-ALE	380 VAC	7 VA Max.	DPDT, 3 Amps, Resistive; 360 VA, Inductive @ 600 VAC
SLC-440-ALE	440/480 VAC		

All voltages referenced on this page are phase-to-phase.