

Thermo-Couple Products Co.

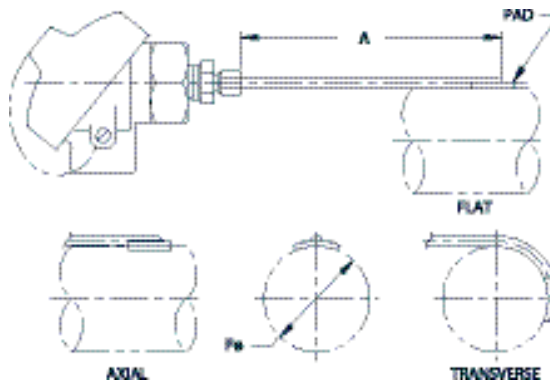
www.tcproducts.com

a division of Marsh Bellofram
www.marshbellofram.com
1-800-727-5646

PAD TYPE

Series 1700

- Pad Type 1700 is a Low Cost Alternative to "Tube Temp" Thermocouple (See pages 141 - 151)
- Pad is Slotted for Higher Accuracy
- Used Where Severe Service Atmospheric Conditions are Not a Major Concern
- Suitable for Tight Space Limitations
- Can be Field Formed



Enter a selection for each item, please fax your inquiry to TCR.

Example: 1700 - **K** - **E** - **36** - **G** - **304** - **A** - **3** - **10** - **0**

1700 - - - - - - - - -

CODE	WIRE CALIBRATION
E	Chromel/Constantan
J	Iron/Constantan
K	Chromel/Alumel
T	Copper/Constantan
EE	Duplex Chromel/Constantan
JJ	Duplex Iron/Constantan
KK	Duplex Chromel/Alumel
TT	Duplex Copper/Constantan

Type K is standard

CODE	SHEATH DIAMETER
E	.187"
F	.250"

LENGTH "A"
Specify "A" dimension in inches.

CODE	JUNCTION STYLE
G	Grounded Junction
U	Ungrounded Junction

Grounded Junction is standard

CODE	SHIELD
0	None
1	Straight Shield
2	Curved Shield

CODE	TERMINATIONS
10	111 Series Connector
18	18" of Lead Wire
40	Stripped Leads
AL	Aluminum Head
CI	Cast Iron Head

PIPE DIAMETER "P"
Specify "P" dimension in inches.

CODE	MOUNTING
A	Axial
T	Transverse
F	Flat

Flat is standard

CODE	SHEATH MATERIAL
304	304 Stainless Steel
310	310 Stainless Steel
316	316 Stainless Steel

Metric Orders Welcome

Place an **mm** in the appropriate selection box:

Ordering Information	
1.	Retaining clip can be furnished (customer to specify), clip material matches sheath material.
2.	1018 Series screw cover heads are Factory Mutual rated Per: NEC - Class 1, Division 1, Groups A, B, C and D - Class 2, Division 1, Groups E, F, and G NEMA - NEMA4, Weather-proof - Indoor/Outdoor