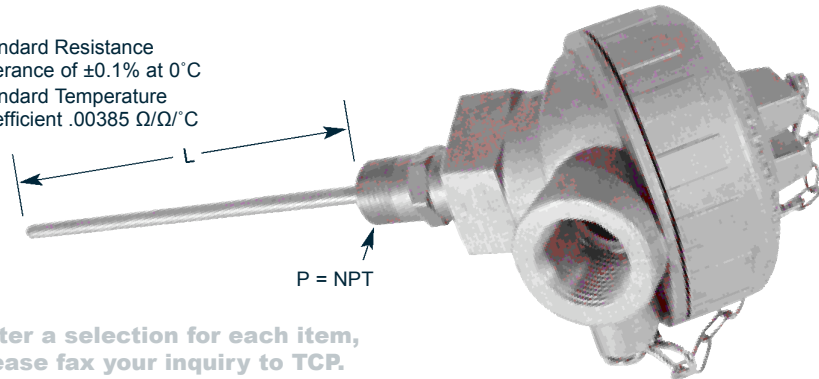


# RESISTANCE TEMPERATURE DETECTORS

## Series 707

- Industrial Design with Cast Screw Cover Heads
- "Factory Mutual" Approved Heads in Cast Iron and Aluminum
- Various Male NPT Mounting Fittings are Available
- Standard Resistance Value 100 Ohms at 0°C, Others Available
- Standard Resistance Tolerance of  $\pm 0.1\%$  at 0°C
- Standard Temperature Coefficient  $.00385 \Omega/\Omega/^\circ\text{C}$



Enter a selection for each item, please fax your inquiry to TCP.

**Example:** 707 - A - 100 - E - 5 - 3 - 304 - AL - 1/2 - 1 - 0

**707 -** [ ] - [ ] - [ ] - [ ] - [ ] - [ ] - [ ] - [ ] - [ ] - [ ] - [ ]

CODE	Temperature Range	Insulation
A	-50°F to 350°F (-45°C to 175°C)	FEP Teflon
B	-50°F to 800°F (-45°C to 425°C)	Fiberglass
C	-50°F to 1100°F (-45°C to 600°C)	Ceramic
D	-50°F to 1100°F (-45°C to 600°C)	Compacted MgO

### RESISTANCE VALUES

Standard: 100 Ohms at 0°C

On request: 200, 400, 500 and 1000 Ohms

### CODE SHEATH DIAMETER

D	.125" (A and B Temp. Range only)
E	.187"
F	.250"

### IMMERSION LENGTH "L"

Specify in inches

### CODE NUMBER OF WIRES

2	2 Wire
3	3 Wire
4	4 Wire

Code 3 wire is standard

CODE	OTHER PERTINENT DATA
0	None
999	Special Request Consult Factory

### CODE SPRING LOADING

0	None
1	Spring Loaded Element

None is standard.  
Spring loading not available in mounting thread is 0.

### CODE MOUNTING THREAD "P"

0	None
1/4	1/4" NPT
3/8	3/8" NPT
1/2	1/2" NPT

Code 1/2 - 1/2" NPT is standard

### CODE TERMINATION STYLE

0	None
AL	Aluminum Head
CI	Cast Iron Head
P	Poly Head

Code CI - Cast Iron is standard

### CODE SHEATH MATERIAL

304	304 Stainless Steel
316	316 Stainless Steel

304 Stainless Steel standard temperature Range A, B, C

316 Stainless Steel standard Temperature Range D.

Specify other material

**! Metric Orders Welcome**

Place an **mm** in the appropriate selection box:

100 mm