

T170 Explosion Proof Motorized Regulator

- High Flow Capacity
- Power Is Not Required for Operation
- Explosion Proof
- Field Adjustable Limit Switch

The Type 170 Motorized Pressure Regulator (M/P) is an electronic pressure regulator designed for use in Hazardous Area valve control in the Oil and Gas industry.

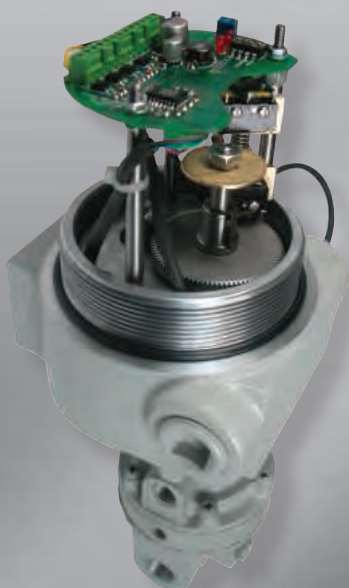
The T170 utilizes a DC Stepper Motor to turn a gear-driven range screw, which compresses the range spring on a Type 70 Precision Pressure Regulator. User-adjustable limit switches prevent motor operation beyond desired pressure limits. The T170 provides powerful speed-turning capabilities. Ultra-slow speed provides up to 13,000 steps full-scale for super-fine DC-stepper resolution. Fast speed provides 10-second Open/Close operation.

Applications

- Custody Transfer
- Remote Low-power Valve Control
- Fine Resolution Valve Control
- Oil & Gas Custody Transfer Stations
- Oil & Gas Well-Heads

Specifications

	T170
Power	12-24 VDC
Signal (applied to either INCREASE or DECREASE wires)	12-24 VDC
Maximum Supply Pressure	150 psig
Output Pressure Range	0.5-30 psig
Flow Capacity (100 psig supply; 20 psig setpoint)	40 SCFM
Exhaust Flow Capacity (5 psig over 20 psig setpoint)	15 SCFM
Weight	7.25 lbs.



Hazardous Area & Usage Classification

Explosion proof for Class I, Division 1, Groups B, C and D; Dust-ignitionproof for Class II, III, Division 1, Groups E, F and G hazardous (classified) locations, with an environmental rating of Type 4X, IP66. For use with air or natural gas at a maximum operating supply pressure of 150 PSI.

XP/I/1/BCD/T3C Ta = 85 °C;
DIP/II/III/1/EFG/T3C Ta = 85 °C; Type 4X, IP66



Part Numbers

		Part Number
T170	1/4 NPT Port	960522000
	3/8 NPT Port	960523000
	1/2 NPT Port	960524000

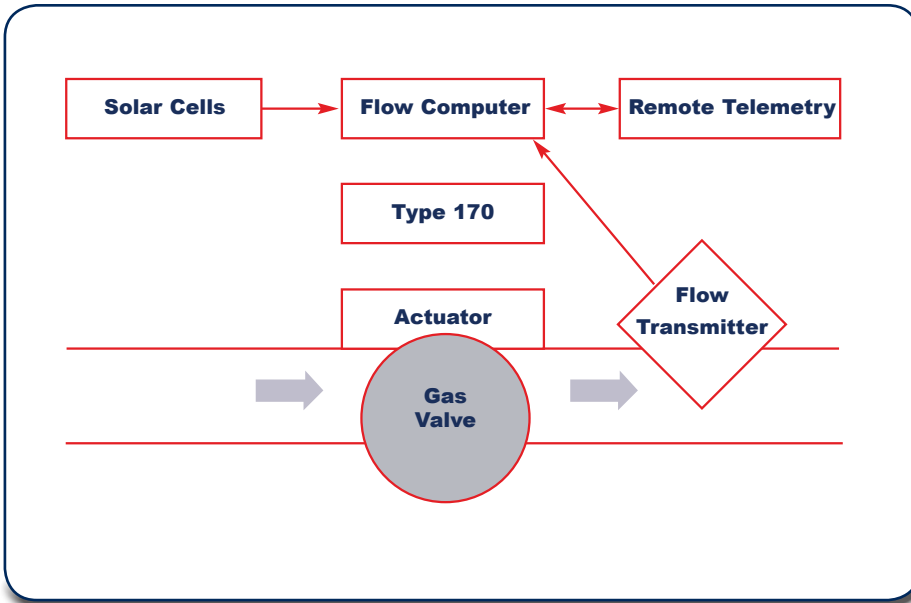
Mounting Kits

	Part Number	
Valve Mounting Kit*	010 134 000	* Valve Mounting Kit comes standard with each unit
2" Pipe Mounting Kit	010 143 000	
Panel Mounting Kit	010 135 000	

Port Sizes

Pneumatic Ports	"In" & "Out" Ports 1/4, 3/8, or 1/2 NPT
	Gauge Ports 1/4 NPT
Electrical Conduits	3/4" NPT

T170 Application Drawing



T170 Dimensions

