

Type 91

Subminiature Regulator Series

Features

- Designed for applications with limited space and for low flow or dead end service
- Small package size and lightweight construction
- Standard or low bleed versions available
- Corrosion resistant anodized aluminum exterior
- Excellent stability and repeatability
- Self relieving
- Low cost

Type 91

The Type 91 Subminiature Regulator is a compact, low-cost unit which operates in pressure ranges up to 100 PSI, with a maximum supply pressure of 250 PSI. It provides dependable reliability and accuracy for low flow or dead end applications, but is not designed for critical

flow applications. The Type 91 subminiature regulator is available with a corrosion resistant anodized aluminum body and bonnet or with a brass body and bonnet. Both come standard with a fluorocarbon diaphragm.

Type 91 Low Bleed

The Type 91 low bleed version is designed for applications where low air consumption is required. The Type 91 is ideal for applications where space is limited and for dead ended/low flow service. Such applications include ink control on printing presses, panel loading applications, hand-held analyzers and calibration equipment, small cylinder operations, and all types of instrumentation applications. It can be through panel mounted or, due to its lightweight, pipe mounted. A slotted adjustment screw is available for precision control.

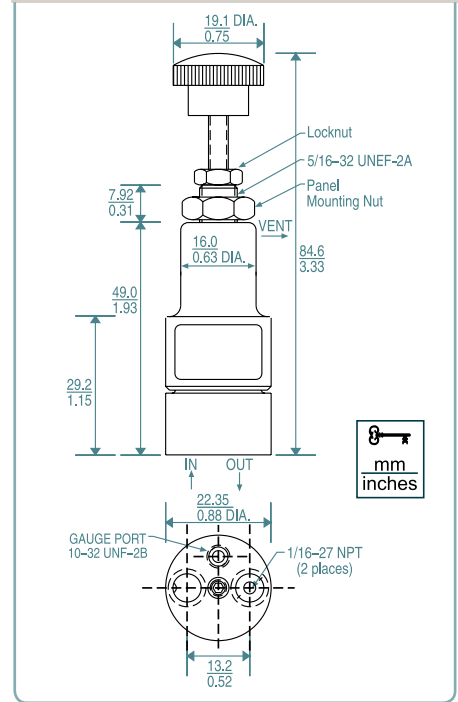
	Type 91	Type 91 Low Bleed
Effect of Supply Pressure Variation (25 psig) on Outlet Pressure	< 0.25 PSIG (17.02 mBAR)	< 0.5 PSIG (34.5 mBAR)
Exhaust Capacity (5 psig above 20 psig set point)	0.1-0.3 SCFM Typical (2.8-8.5 LPM)	0.1-0.3 SCFM Typical (2.8-8.5 LPM)
Max. Supply Pressure	250 PSIG (17.2 BAR)	150 PSIG (10.3 BAR)
Flow Capacity at 100 psig (6.9 BAR) Supply and 20 psig (1.4 BAR) Outlet	2.5 SCFM (71 LPM)	1.4 SCFM (40 LPM)
Output Pressure Ranges	0-5 PSIG (0-0.35 BAR) 0-15 PSIG (0-1.0 BAR) 0-30 PSIG (0-2.1 BAR) 0-60 PSIG (0-4.1 BAR) 0-100 PSIG (0-6.9 BAR)	0-5 PSIG (0-0.35 BAR) 0-15 PSIG (0-1.0 BAR) 0-30 PSIG (0-2.1 BAR) 0-60 PSIG (0-4.1 BAR) 0-100 PSIG (0-6.9 BAR)
Total Air Consumption @ Max Output	3 SCFH (1.42 LPM)	0.3 SCFH (0.14 LPM)
Port Size	1/16 NPT / 5mm	1/16 NPT / 5mm
Materials of Construction	Body: Anodized Aluminum Adjusting Screw: Plated Steel Trim: Brass, Acetal Diaphragm: Fluorocarbon with Polyester Fabric Knob: Acetal Resin Spring: Music Wire	Body: Anodized Aluminum Adjusting Screw: Plated Steel Trim: Brass, Acetal Diaphragm: Fluorocarbon with Polyester Fabric Knob: Acetal Resin Spring: Music Wire
Size and Weight	0.875" X 0.875" X 3.33" (22.2 X 22.2 X 84.6 mm) 2.2 oz. (0.06 kg)	0.875" X 0.875" X 3.33" (22.2 X 22.2 X 84.6 mm) 2.2 oz. (0.06 kg)
Mounting Options	Pipe or Panel	Pipe or Panel



Type 91

Subminiature Regulator Series

Type 91 Dimensional Drawing



Type 91 and 91 Low Bleed Ordering Information

	Part Number	Port Size (NPT)	Set Point Range	
			BAR	PSIG
Type 91	960-240-000	1/16	0-0.3	0-5
	960-236-000		0-1.0	0-15
	960-237-000		0-2.1	0-30
	960-238-000		0-4.1	0-60
	960-239-000		0-6.9	0-100
	962-036-000	5mm	0-0.3	0-5
	962-083-000		0-1.0	0-15
	962-033-000		0-2.1	0-30
	962-034-000		0-4.1	0-60
	962-035-000		0-6.9	0-100

Type 91 Option Ordering Matrix

Replace last three digits of part number with digits from table below.

Option	Non-Relieving	Slotted Adj. Screw	Low Bleed
Non Relieving	002	032	—
Slotted Adj. Screw		003	103
Low Bleed			010

Type 91 Barbed Fittings

Port	Size	Part Number
In/Out Port	1/16 NPT	622-000-007
Gauge Port	10 - 32 UNF	622-000-031