



UL TYPE
4, 4X, 12, 13

UL US
LISTED
IND. CONT. EQ.
496Y

UPA-130 with Integrated Absence of Voltage Test

- Verification of Absence of Voltage Down to 20V
- Verification of Stored Energy Inside A Panel
- Fits 30mm Knockout
- Redundant Circuitry
- 20-600 VAC, 20-1000 VDC

SPECIFICATIONS

Operational Range	AC SINGLE OR 3-PHASE DC OR STORED ENERGY	20 to 600 VAC, 50/60/400 Hz, (LINE-TO-LINE or LINE-TO-GND) 20 to 1000 VDC, (LINE-TO-LINE or LINE-TO-GND)
Maximum Rated Voltage	750 VAC/1000 VDC (LINE-TO-LINE or LINE-TO-GND)	
Detection Thresholds	14.3 VAC 3-Phase, 17.8 VAC Single-Phase, 13.6 VDC Stored Energy	
Power Consumption	1.2 Watts @ 750 VAC (Approximately)	
Temperature Rating	Operate	-4° to 131°F (-20° to +55°C)
Enclosure	Totally Encapsulated for Environment Protection	
Terminations	(4) 8 ft, 18 AWG 1000V, UL-1452	BLK BLK BLK GRN/YEL L1 L2 L3 GRD
Weight	8 oz.	
Charging Time	2 Tests (208V 3-Phase Nominal) 7 Tests [Full Charge] (208V 3-Phase Nominal)	15 minutes 60 minutes
Test Voltage Threshold	Approximatley 1V Above Detection Threshold	
Number of Indicators	12 (2 per wire connection - positive and negative polarity, 1 each for charging status, high voltage test, low voltage test, low charge)	
Test Method	Magnetic Swipe	

INDICATOR FLASH RATES (L1, L2, L3, GND)

3- Phase Line-To-Line (VAC)	<13	20	120	240	480	600	750
Flashes/Sec (Typical)	0	9.5	31	53	60	60	60
DC or Stored Energy (VDC)	<13	15	48	110	300	600	1000
Flashes/Sec (Typical)	0	12	29	35	45	59	64

GND DETECTOR THRESHOLDS (LEAKAGE ANY PHASE-TO-GROUND)

3- Phase Line-To-Line (VAC)	20	120	240	480	750
L1, L2, or L3 To Ground Continuity (OHMS)	1M	1.5M	2M	3M	4M
Detector Included Fault Current (µA)	6	32	52	76	94

DETECTOR INCLUDED FAULT CURRENT (PHASE-TO-GROUND SHORT)

3- Phase Line-To-Line (VAC)	20	120	240	480	750
0 OHM Phase-To-Ground Current (µA)	15	108	218	441	700

Based upon the tried-and-true UPA-130, the UPA-130 TEST Universal Power Alert reduces the risk of electrical arc flash by pre-verifying the electrical isolation from outside of a control panel. Hard-wired to the circuit breaker or main disconnect, the UPA flashes whenever voltage is present. Engineered with redundant circuitry, the Power Alert is powered by the same voltage that it indicates. In addition to the standard UPA-130 functionality, the UPA-130 TEST incorporates an integrated absence of voltage test method to ensure no voltage is present and that the device itself (wiring, LEDs) are functioning properly.

OPERATION

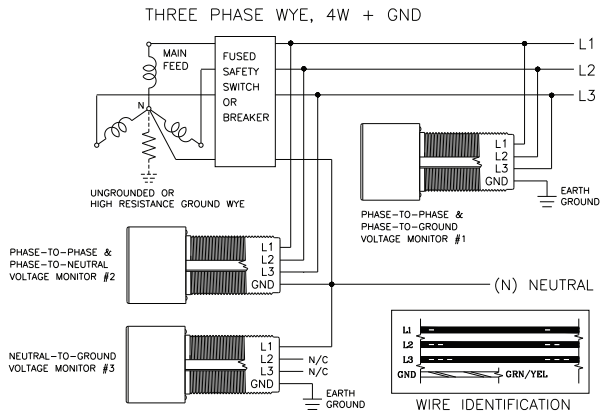
The UPA-130 TEST has 12 LED indicators. The eight detector UPA-130 visually alerts to the presence of dangerous AC or DC (Store Energy) potentials occurring between any combination of the four monitored input lines (L1, L2, L3, GND). Two LED indicators are assigned to each input line and are designated “+” and “-”. For each input line carrying an AC potential (bi-polar), both the “+” and “-” LEDs will be active. A DC or Stored Energy potential will illuminate the “+” LED for the positive line and the “-” LED for the negative line. The four additional LEDs indicate the absence of voltage TEST functionality: indication of voltage above the low end of the operational range, indication of voltage below the low end of the operational range or indication of no voltage present, indication of low charge, and indication of charging. In order to initiate an absence of voltage test, the magnet (included) is waved in front of the unit near the “TEST” symbol. The UPA-130 TEST requires no batteries and will allow for 1-2 tests after a 15-minute charge and will be fully charged in 1 hour.

The UPA-130 Series is UL Listed under UL File Number E55826.

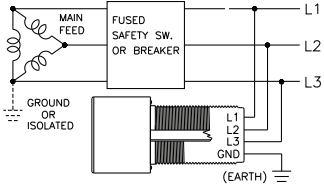
ORDERING INFORMATION

Model Number	Description
UPATEST130S	UPA-130 with integrated absence of voltage test
Accessories	
UPA-WP130	ANSI Warning Plate
UPA-BZL	Flush Mounting Kit for UPA-130 Series Flash 1 1/4" Knockout
UPA-WP100	ANSI WARNING Plate [with UPA-BZL]
100-054-325	TEST Magnet [Included with device]

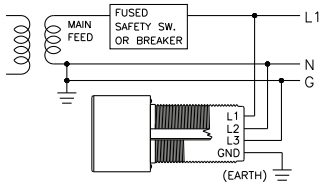
WIRING



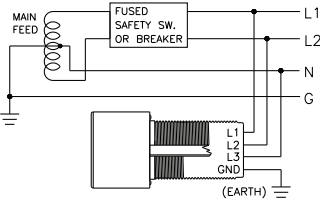
THREE PHASE WYE, 4W + GND



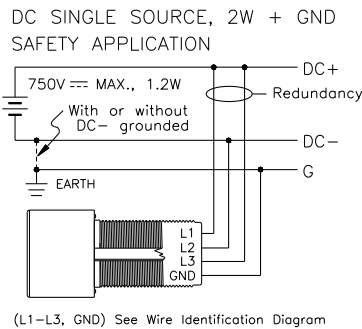
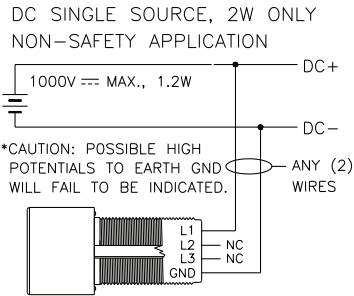
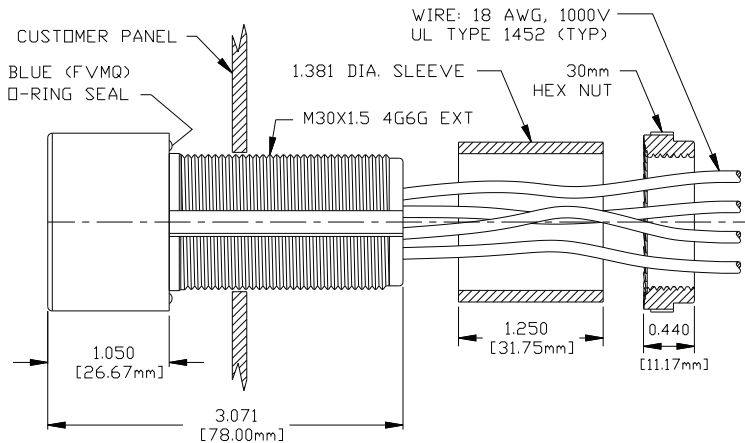
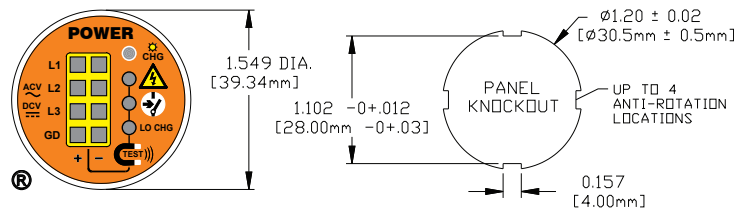
THREE PHASE DELTA, 3W + GND



SINGLE PHASE, 2W + GND



DIMENSIONS (INCHES)



(L1-L3, GND) See Wire Identification Diagram