

Vacuum Cleaner Test Gauge

Steel Case / Rubber Plug / 2.5" Lower Mount

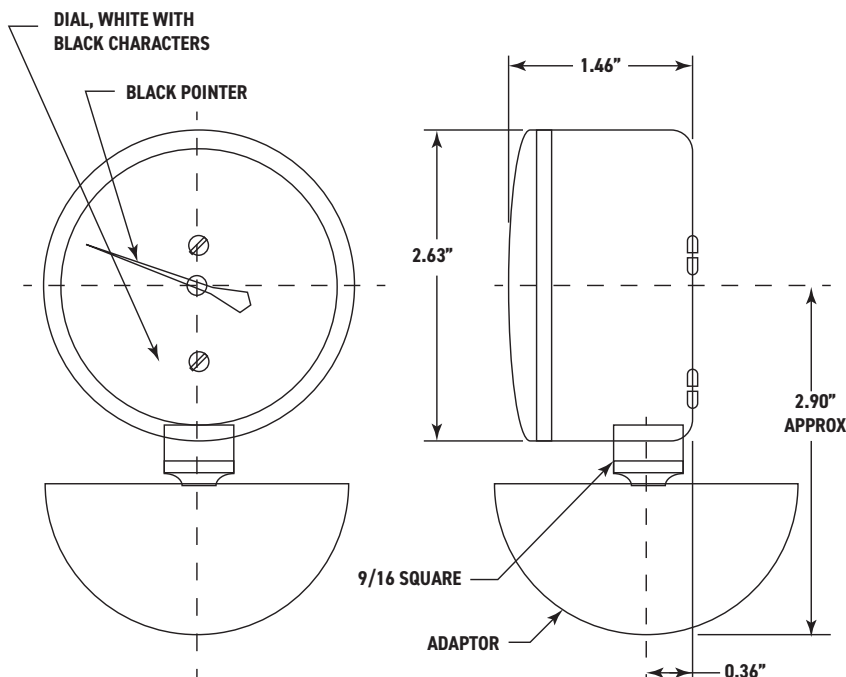


The Marsh Instruments Vacuum Cleaner Test Gauge is designed to test the amount of vacuum generated by a vacuum cleaner to ensure proper operation and to check for leaks or other problems. The Vacuum Cleaner test gauge features a reliable Marsh Instruments Low Pressure Diaphragm Gauge available in several ranges, as well as a rubber plug/fitting designed to fit various different vacuum cleaner hoses and connections.

Features:

- 2 1/2" Dial Size Gauge
- Dual Scale: In. of H₂O & kPa Vacuum
- Complete with rubber plug to fit vacuum cleaner intake opening

Product Dimensions



Product Specifications

Design

Meets/Exceeds ASME B40.100

Accuracy

±2/1/2% (ASME Grade A)

Dial Size(s)

2 1/2" Diameter

Case

Steel

Bezel

Twist Lock Lens

Tube & Socket

Phosphor Bronze Diaphragm

Movement

Copper Alloy

Connection

Lower Mount with Rubber Plug for Vacuum Cleaner

Pressure Ranges

60"-200" H₂O Vacuum

Standard Scale

Dual Scale In. of H₂O/kPa

Dial Color

Black Markings on White

Pointer

Aluminum, Black Painted

Window

Acrylic

Standard Case Fill

Dry, Non-Fillable

Ambient Temperature

-40° to 160°F

Vent Plug

N/A

Weight

N/A