

W01 Series - Ammonia Gauge

Stainless Steel Case / Stainless Steel Internals / Lower Mount

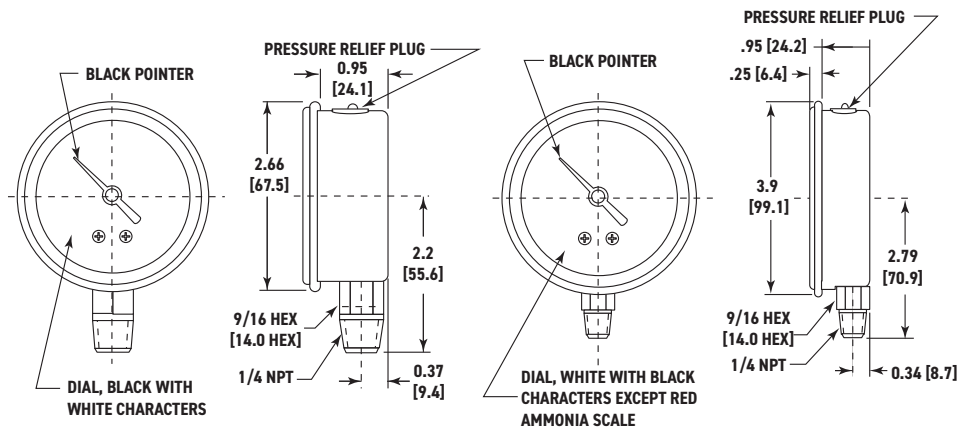


For use on ammonia refrigeration systems, Marsh Instruments Ammonia Refrigeration Gauges feature dual scale psi/ammonia temperature dials. Available dry or liquid filled for added durability.

Features:

- Ammonia Refrigeration Dial
- Liquid Fillable Case for Added Durability

Product Dimensions



Product Specifications

Design

Meets/Exceeds ASME B40.100

Accuracy

$\pm 3/2/3\%$ ($\pm 2\%$ of Range Across Middle Half of Scale)

Dial Size(s)

2 1/2", 3 1/2" Diameter

Case

304 Stainless Steel

Bezel

304 Stainless Steel

Tube & Socket

Stainless Steel

Movement

Stainless Steel

Connection

1/4 NPT - Lower Mount

Pressure Ranges

Compound 30" Hg VAC to 150 psi or 30" Hg VAC to 300 psi

Standard Scale

Single Scale psi with Corresponding Ammonia Temperature Scales

Dial Color

Black Markings on White

Pointer

Aluminum, Black Painted

Window

Polycarbonate

Standard Case Fill

Glycerine

Silicone

Ambient Temperature

Glycerine: 30° to 160°F

Silicone: -40° to 160°F

Vent Plug

N/A

Weight

2 1/2" 0.5 lb.

3 1/2" 1.0 lb.