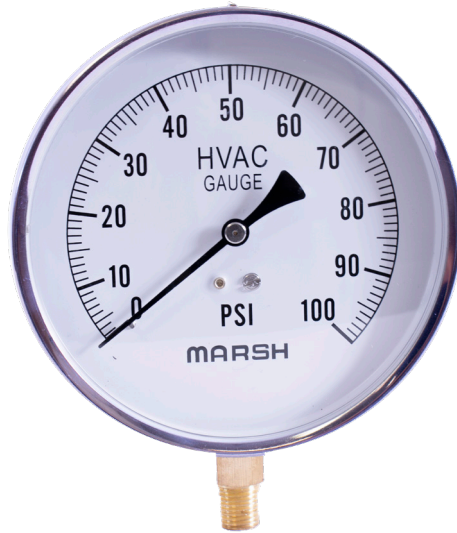


W04 Series - Contractor Gauge

Stainless Steel Case / Brass Internals / 4.5" Lower Mount



HVAC/R Gauges

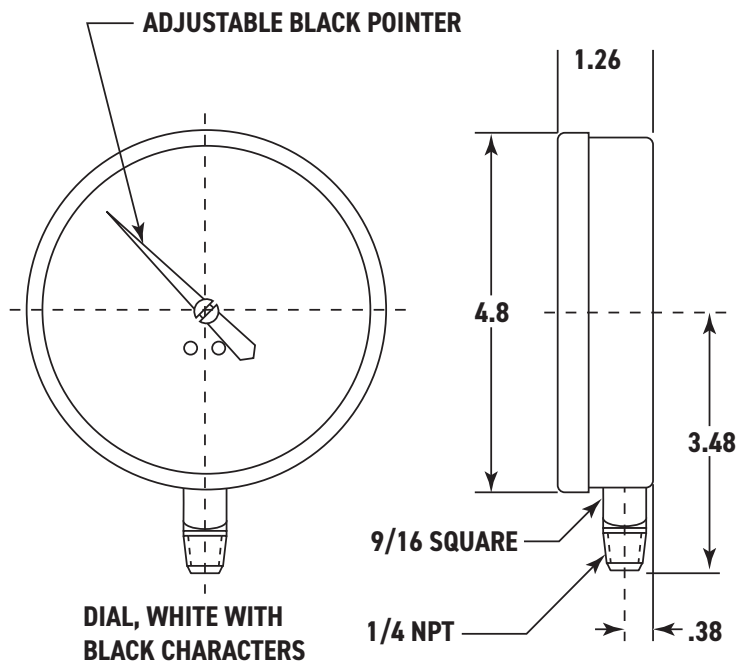


Marsh Instruments Contractor's HVAC Service Gauge features long-life movement to meet the needs of contractors in air conditioning, heating, plumbing, and refrigeration. This rugged and reliable gauge is economically priced and offers many features normally found on more expensive gauges such as adjustable pointer, and polished stainless steel case.

Features:

- 2/1/2% Accuracy
- Polished Stainless Steel Case
- Adjustable Pointer

Product Dimensions



Product Specifications

Design

Meets/Exceeds ASME B40.100

Accuracy

±2/1/2% (ASME Grade A)

Dial Size(s)

4 1/2" Diameter

Case

Polished Stainless Steel

Bezel

Polished Stainless Steel - Removable

Tube & Socket

Copper Alloy

Movement

Copper Alloy

Connection

1/4 NPT - Lower Mount

Pressure Ranges

VAC/Compound to 1,000 psi

Standard Scale

Single Scale psi

Dial Color

Black Markings on White

Pointer

Aluminum, Black Painted

Window

Acrylic

Standard Case Fill

Dry, Non-Fillable

Ambient Temperature

-40° to 160°F

Vent Plug

N/A