

W90/94 Series - Forged Brass

Forged Brass Case / Brass Internals / 2.5" & 4" Lower Mount

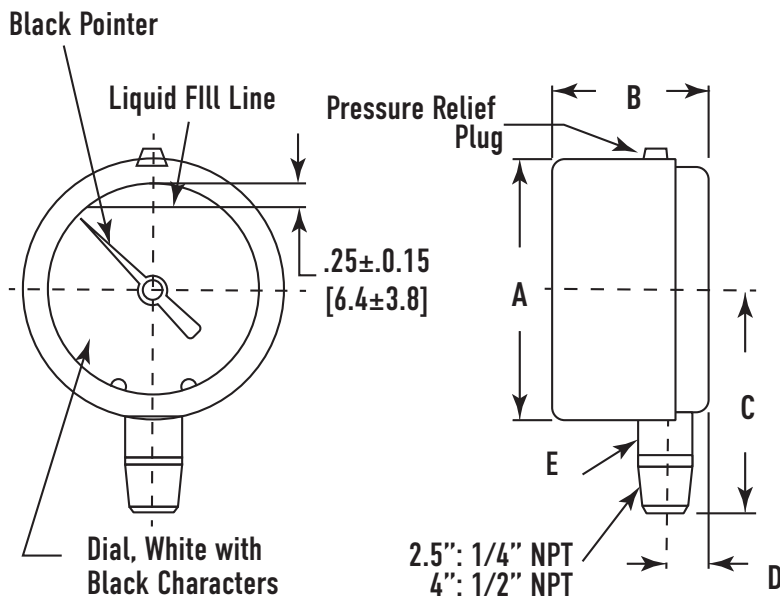


Marsh Instruments Severe Service Liquid Filled Gauges are designed to perform in rugged and harsh environmental conditions, especially where pulsation or vibration is a problem. Liquid Filled Gauges offer a significant cushioning and dampening effect, reducing pointer flutter and lubricating the internals.

Features:

- Durable, One Piece Forged Brass Case & Socket
- Liquid Filled For Dampening Effect

Product Dimensions



Product Specifications

Design

Meets/Exceeds ASME B40.100

Accuracy

2.5": ±2/1/2% (ASME Grade A)

4": 1% (ASME Grade 1A)

Dial Size(s)

2.5" Diameter (63 mm)

4" Diameter (100 mm)

Case

1 Piece Forged Brass Case & Socket

Bezel

2.5" Plated ABS

4" Plated Steel

Tube & Socket

Copper Alloy

Movement

Brass

Connection

2.5" 1/4" NPT - Lower Mount

4" 1/2" NPT - Lower Mount

Pressure Ranges

VAC/Compound to 10,000 psi

Standard Scale

Single Scale psi

Dial Color

Black Markings on White

Pointer

Aluminum, Black Painted

Window

Polycarbonate

Standard Case Fill

Dry

Glycerine

Silicone

Ambient Temperature

Dry: -40° to 180°F

Glycerine: 30° to 160°F

Silicone: -40° to 180°F

Vent Plug

Filter/Pressure Relief Plug

Weight

Filled 1.0 lb.

Dry 0.7 lb.

Dial Size	A	B	C	D	E
2.5"	2.58"	1.53"	2.34"	0.45"	9/16 HEX
4"	3.94"	2.00"	3.38"	0.53"	7/8 HEX

Interested in ordering? Ordering information available at MarshGauges.com

Severe Service Gauges