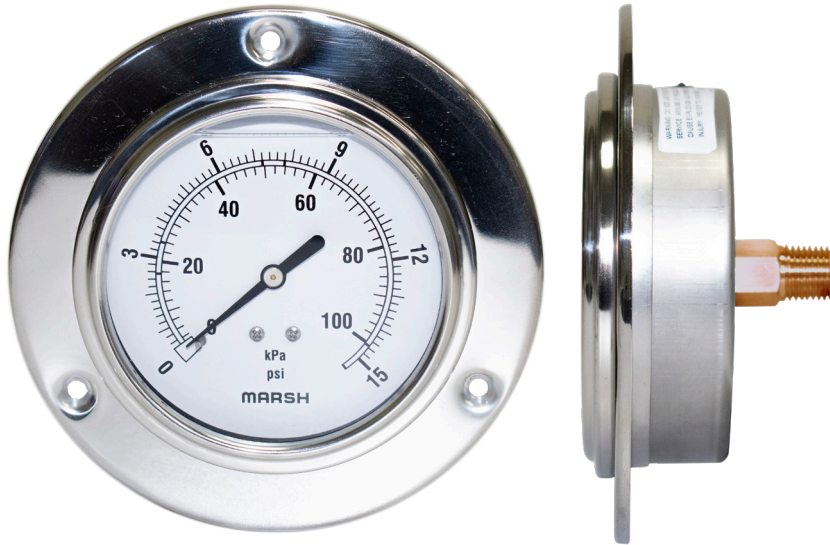


# X Series

Stainless Steel Case / Brass Internals / 4" Front Flange

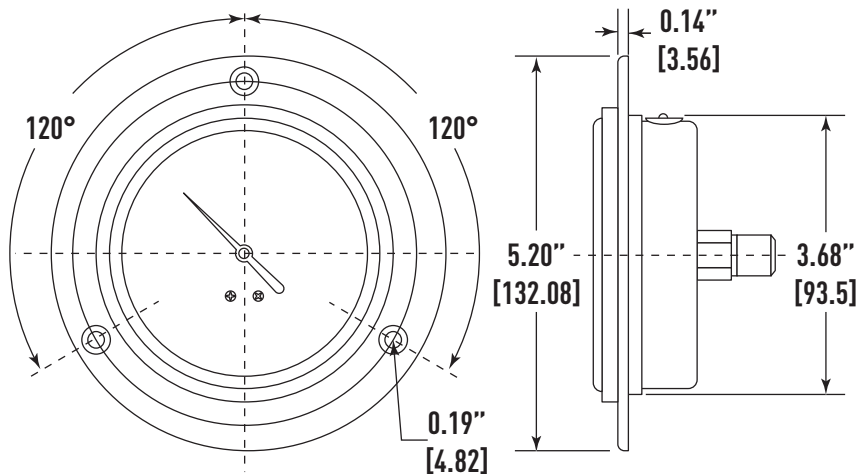


Marsh Instruments Severe Service Liquid Filled Gauges are designed to perform in rugged and harsh environmental conditions, especially where pulsation or vibration is a problem. Liquid Filled Gauges offer a significant cushioning and dampening effect, reducing pointer flutter and lubricating the internals.

## Features:

- Liquid Filled for Dampening Effect
- Weatherproof/Hermetically Sealed
- $\pm 2\frac{1}{2}\%$  Accuracy

## Product Dimensions



## Product Specifications

### Design

Meets/Exceeds ASME B40.100

### Accuracy

$\pm 2\frac{1}{2}\%$  (ASME Grade A)

### Dial Size(s)

4" Diameter (100 mm)

### Case

304 Stainless Steel

### Bezel

304 Stainless Steel - Fixed

### Tube & Socket

Copper Alloy

### Movement

Brass

### Connection

$\frac{1}{4}$  NPT - Front Flange Panel Mount

### Pressure Ranges

VAC/Compound to 10,000 psi

### Standard Scale

Dual Scale psi and kPa

### Dial Color

Black Markings on White

### Pointer

Aluminum, Black Painted

### Window

Polycarbonate

### Standard Case Fill

Dry

Glycerine

Silicone

### Ambient Temperature

Dry:  $-40^{\circ}$  to  $180^{\circ}$  F

Glycerine:  $30^{\circ}$  to  $160^{\circ}$  F

Silicone:  $-40^{\circ}$  to  $180^{\circ}$  F

### Vent Plug

Filter/Pressure Relief Plug