

# P1367 Manifold System

Hi/Lo Pressure Instrument Supply Manifold System with Safety Relief Valve Protection.

P1367 pneumatic supply pressure manifold offers the customer a complete package for working pressures up to 4000 psig (276 bar.)

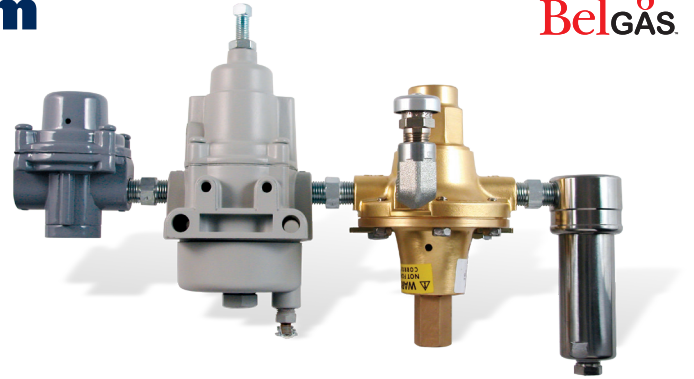
## Features

- Hi-Lo Gas Pressure Regulation
- Inlet and Outlet Gas Filtration
- Overpressure Safety Protection
- Two connection hook-up
- Installation Flexibility
- NACE Capability

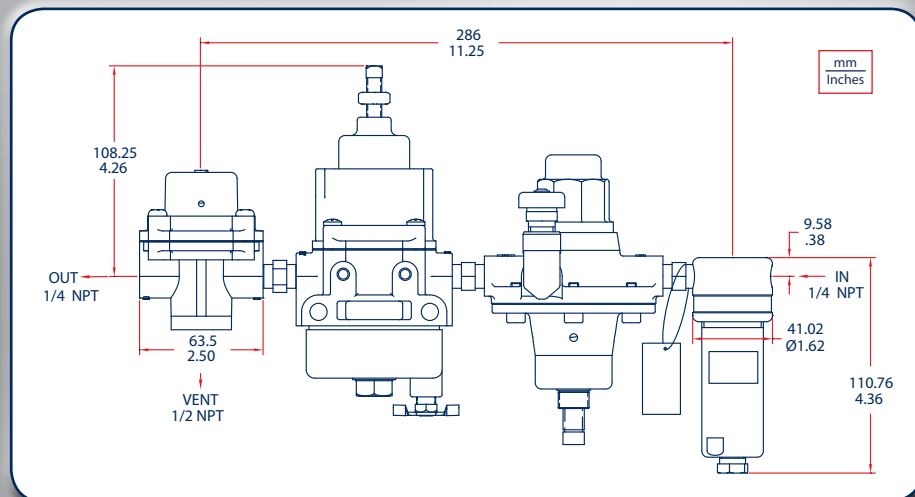
<b>P136702</b>					<b>00</b>	
	▲	▲	▲	▲	▲	Output Pressure Setting
	<b>020</b>					20 PSIG Setpoint
	<b>035</b>					35 PSIG Setpoint
						Mounting Bracket
		<b>C</b>				Casing Mounting Bracket
		<b>Y</b>				Yoke Mounting Bracket
						Filter Drain
			<b>P</b>			Plug
			<b>V</b>			Manual Drain Valve
						Construction
			<b>S</b>			Standard
			<b>N</b>			NACE
					<b>00</b>	

## Specifications

Port Sizes	Inlet and Outlet	1/4 NPT
	P800 Vent	1/2 NPT with Removable Screen
Max Inlet Pressure	4000 PSIG – Stainless Steel	275 BAR
	2150 PSIG – Aluminum	148 BAR
Temperature Range	-20° to + 160°F	-29° to +66°C



Manifold includes the following items:		
<b>1</b>	<b>P350</b> Stainless Steel or Aluminum Body, filter, SST drain. Available with a Plugged Drain Port or Manual Drain Valve	
<b>2</b>	<b>P39</b> First-stage high pressure regulator with mounting bracket.	
<b>3</b>	High pressure relief valve, attached to P39 regulator with pipe elbow. Preset to 150 PSIG (10.3 BAR)	
<b>4</b>	<b>P50</b> Second-stage low pressure filter regulator, nipple-mounted in outlet of the P39 regulator.	
<b>5</b>	<b>P800</b> Relief valve, nipple mounted in the outlet of the P50 regulator. Preset to 41 PSIG (2.83 BAR)	



Replacement Parts	Part Number
Yoke Mounting Bracket	607-304-000
Casing Mounting Bracket	607-305-000