

# P143M Pressure Regulator with Internal Monitor

- Control Accuracy
- Compact design
- Low Pressure Cut-off

The P143M comes equipped with a sliding orifice and second seat. In the event of the primary seat being unable to achieve lockup, the diaphragm plate continues to rise and the lever pushes the seat and orifice through the orifice collar and against a second seat located on the opposite side of the regulator body.



## Applications

Applicable to a wide range of gaseous fluids, including air, natural gas and propane. Can be used as a LP regulator.

## Materials of Construction

	P143M
Body, Bonnet	Iron, Aluminum
Diaphragm	Nitrile
Diaphragm Assembly	Zinc/Nitrile
Gaskets	Non-asbestos, CGR 2750
Pin	Stainless Steel
Vent screen	Stainless Steel
Spring	Zinc-Plated Steel
Diaphragm Piston	Zinc-Plated Steel

## Specifications

	P143M
Inlet / Outlet	3/4" x 3/4", 3/4" x 1", 1" x 1", 1" x 1-1/4", 1-1/4" x 1-1/4"
Maximum allowable inlet pressure	See Chart
Temperature Range	-20°F to 150 °F
Approximate Weight	5.63 lb.      2.6 kg.

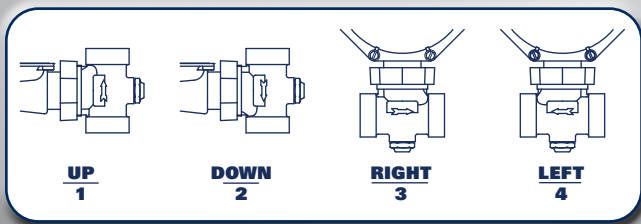
## Max Inlet Pressure (PSIG)

Orifice	Standard
1/8	125
3/16	125
1/4	60
5/16	40
3/8	40
1/2	20
5/8	10

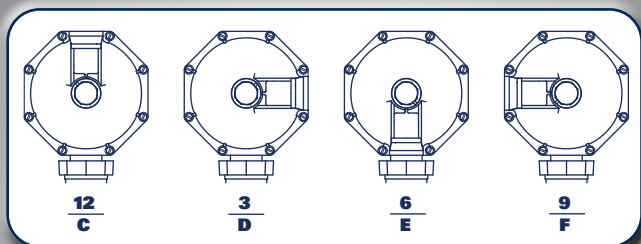
## P143 Part Matrix

P143	M							0	0	
	M									Internal Monitor
										Body Size
		06								3/4 x 3/4 NPT Ports
		07								3/4 x 1 NPT Ports
		08								1 x 1 NPT Ports
		09								1 x 1-1/4 NPT Ports
		12								1-1/4 x 1-1/4 NPT Ports
										Spring Ranges
		020								Red Spring 3.5" – 6.5" WC
		040								Blue Spring 5" – 8.5" WC
		060								Green Spring 6" – 14" WC
		080								Orange Spring 12" – 33" WC
		100								Purple Spring 1/2 – 2 PSIG
		120								Yellow Spring 1/2 – 3 PSIG
		140								Black Spring 2 – 6 PSIG
										Orifice Size
		2								1/8"
		3								3/16"
		4								1/4"
		5								5/16"
		6								3/8"
		8								1/2"
		A								5/8"
										Body Position
		1								Up Position
		2								Down Position
		3								Right Position
		4								Left Position
										Vent Position
		C								12 Position
		D								3 Position
		E								6 Position
		F								9 Position

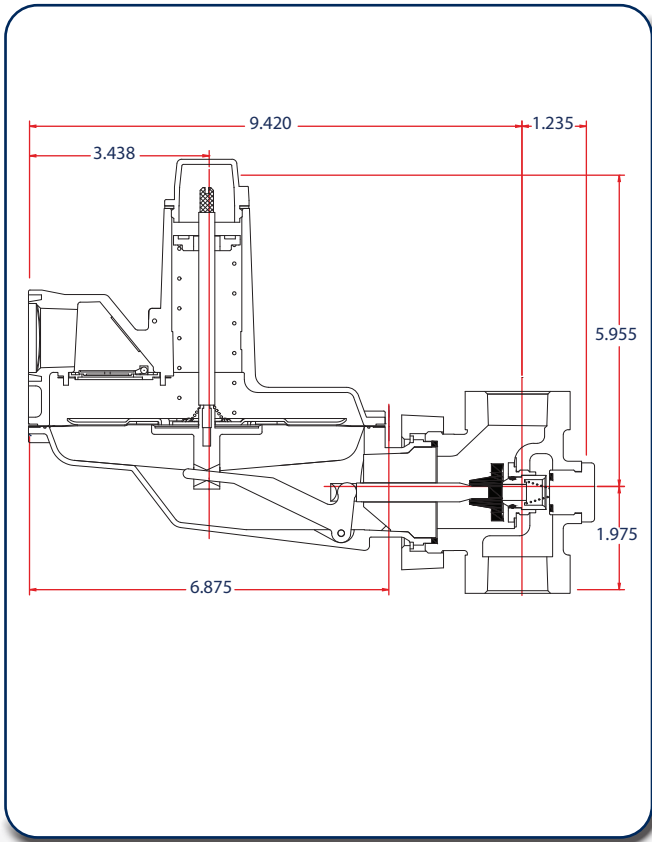
## P143M Body Positions



## P143M Vent Positions



## P143M Dimensions



## P143M Model Flow Capacities

Capacity\* in SCFH Natural Gas  
(0.6 specific gravity – 14.65 PSIG – 65°F)

Body Size 3/4" x 3/4"							
Inlet	Orifice						
PSIG	1/8"	3/16"	1/4"	5/16"	3/8"	1/2"	5/8"
1/2	-	-	-	-	340	450	510
1	-	-	-	480	500	510	530
2	-	-	530	560	570	580	600
3	-	420	600	560	630	650	670
5	250	560	700	720	730	770	790
7.5	310	700	840	860	880	900	900
10	370	830	950	970	1000	1020	1020
20	530	1200	1220	1240	1250	1270	-
40	860	1570	1330	1340	1450	-	-
60	1200	1660	1520	-	-	-	-
80	1500	1710	-	-	-	-	-
125	1800	1900	-	-	-	-	-

Body Size 3/4" x 1" • 1" X 1"							
Inlet	Orifice						
PSIG	1/8"	3/16"	1/4"	5/16"	3/8"	1/2"	5/8"
1/2	-	-	-	-	350	460	520
1	-	-	-	480	550	600	650
2	-	-	530	700	840	880	780
3	-	420	650	870	1000	920	810
5	250	580	890	1120	1160	950	970
7.5	310	700	1140	1340	1270	1140	1060
10	370	840	1360	1500	1330	1200	1180
20	530	1230	2000	1600	1480	1400	-
40	860	1700	2000	1640	1900	-	-
60	1200	1900	2000	-	-	-	-
80	1540	2000	-	-	-	-	-
125	2100	2100	-	-	-	-	-

Body Size 1" X 1-1/4" • 1-1/4" X 1-1/4"							
Inlet	Orifice						
PSIG	1/8"	3/16"	1/4"	5/16"	3/8"	1/2"	5/8"
1/2	-	-	-	-	350	460	520
1	-	-	-	480	550	680	760
2	-	-	530	700	840	1020	1030
3	-	420	650	870	1030	1200	1050
5	250	580	890	1180	1350	1490	1060
7.5	310	700	1140	1500	1610	1580	1060
10	370	840	1360	1700	1710	1800	1180
20	630	1230	1600	1800	1900	1900	-
40	860	1800	2200	1900	2000	-	-
60	1200	2100	2400	-	-	-	-
80	1550	2200	-	-	-	-	-
125	2250	2400	-	-	-	-	-

\*Consult manufacturer for test conditions